

# HIP TRIM IP67

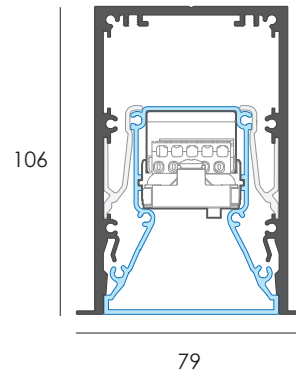
## RECESSED PROFILE

**DARKON™**  
THE EDGE OF LIGHT

Ensure that products are mounted with supplied, recommended or appropriate screws and fixings to suit the mounting surface.

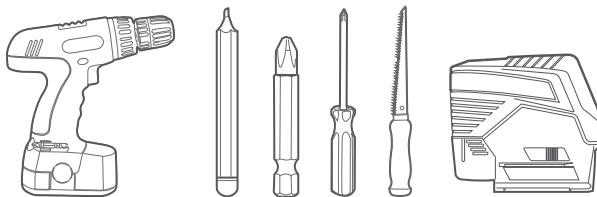
### WARNING

INSTALLATION IS ONLY TO BE CARRIED OUT BY SUITABLY QUALIFIED PERSONS IN ACCORDANCE WITH INSTALLATION INSTRUCTIONS AND ALL APPLICABLE REGULATIONS OR STANDARDS. (IMPROPER INSTALLATION CAN CREATE AN ELECTRICAL HAZARD WITH RISK OF ELECTRIC SHOCK, FIRE OR INJURY). DARKON WILL NOT BE HELD RESPONSIBLE FOR ANY CONSEQUENCES ARISING FROM IMPROPER PRODUCT HANDLING, STORAGE OR INSTALLATION.



### TOOLS REQUIRED

POWER DRILL / PENCIL / PHILLIPS DRIVER OR SCREWDRIVER / WALLBOARD SAW / TAPE MEASURE / LASER PLUMB.



### MAINTENANCE

Wipe product with a clean dry microfiber cloth.



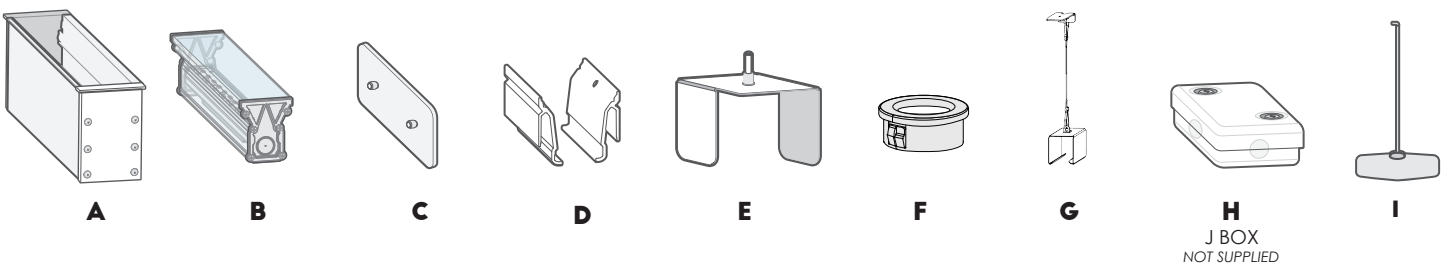
### SERVICING

Sections of light trays can be replaced if deemed faulty

### COMPONENTS

### FIXINGS

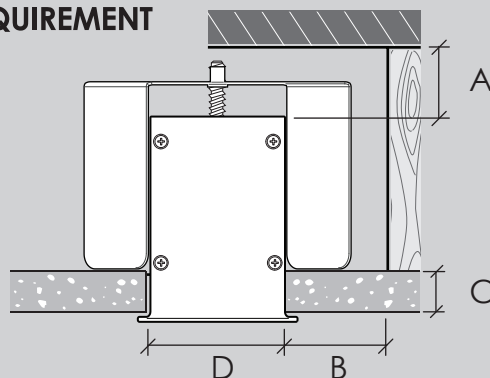
IP GROMMET / SPRING CLIP



J BOX  
NOT SUPPLIED

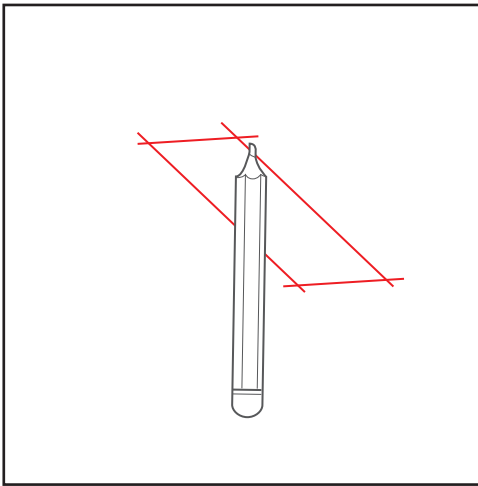
### MINIMUM AREA REQUIREMENT

FIGURE 1.  
FOR OPTIMAL LONGEVITY,  
ENSURE UNRESTRICTED AIRFLOW  
OVER LUMINAIRE  
**DO NOT COVER W/ INSULATION**

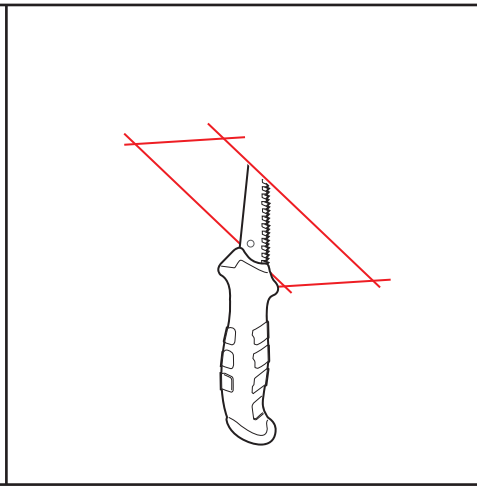


	DISTANCE	DESCRIPTION
A)	40MM	CLEARANCE FOR TOP OF LUMINAIRE
B)	45MM	CLEARANCE B/W STRUCTURAL MEMBER
C)	20MM	MAXIMUM WALL BOARD THICKNESS
D)	71MM	CUTOUT WIDTH

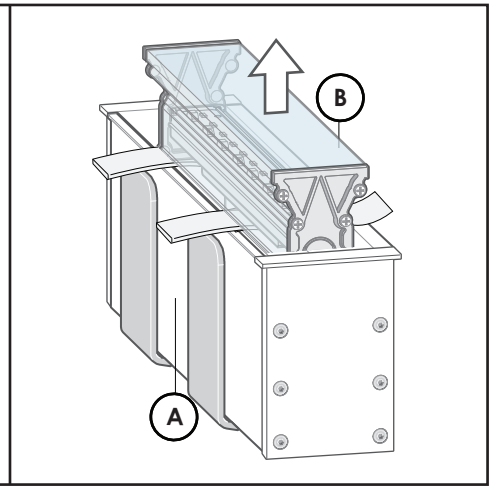




**1.** Project line using Laser Plumb. Measure and mark location of fitting.

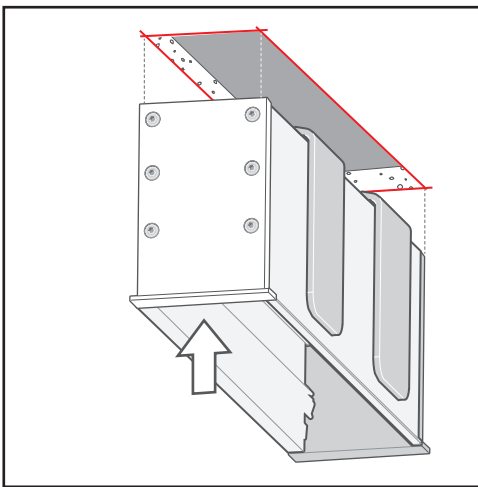


**2.** Measure and mark the appropriate cut out for where the fitting is to be installed.

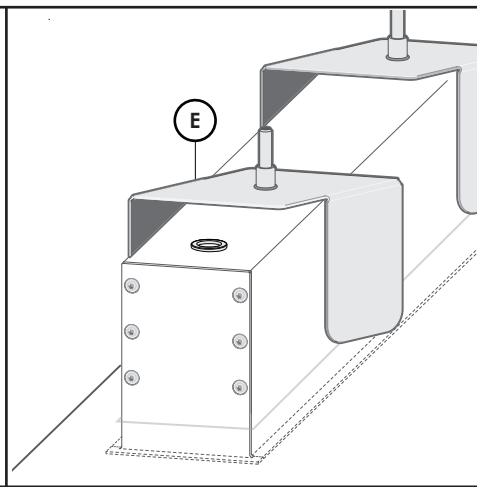


**3.** Remove mainbody(B) from the surfacebody(A). Remove supplied straps.

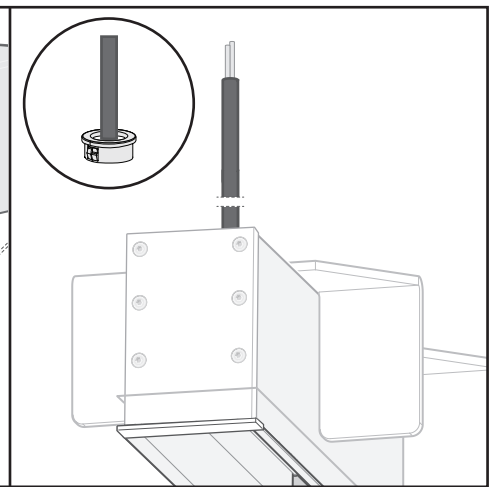
Refer to figure 1 for critical dimensions.



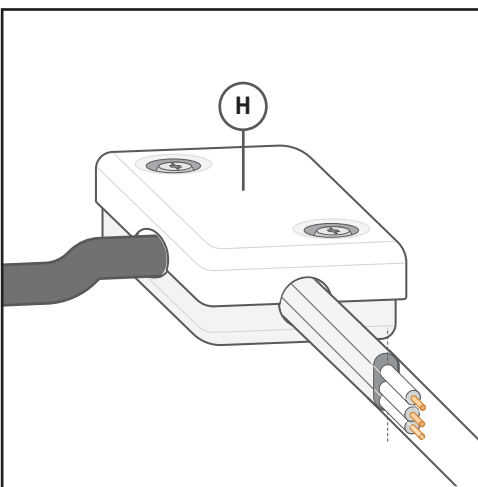
**5.** Insert Recessed body(A) into the cut out.



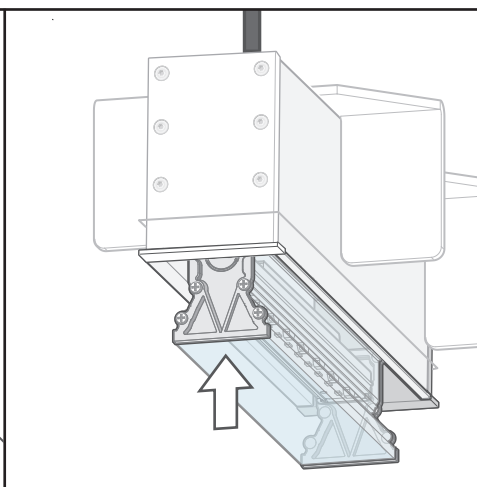
**6.** With a Screwdriver; screw the bolt in Spring Clips(E) to suspend the light fixture.



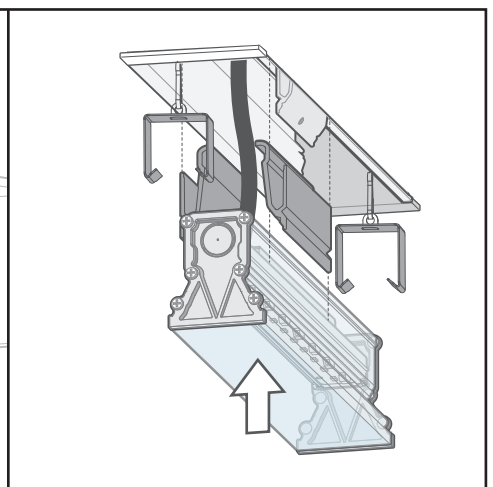
**7.** Cable should go through the 'Snap bush'(F) & 'Recessed body'(A). I



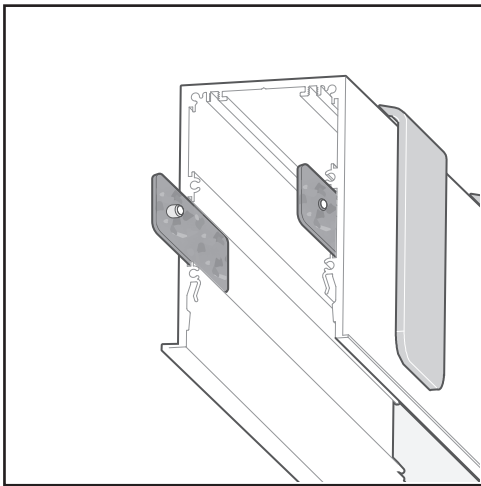
**8.** Terminate powercable into ceiling using appropriate J Box(H).  
J Box not supplied



**9.** Insert 'Gear Tray'(B) into 'Recessed body'(A).

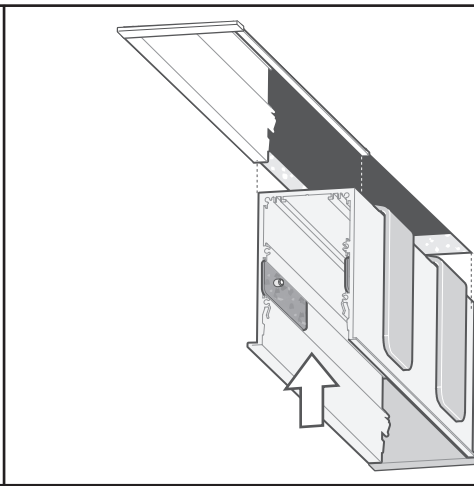


**10.** Install 'Start Gear Tray'(B) by snap fitting into Clips(D) and make sure the two safety lanyards(G) are attached to the body.



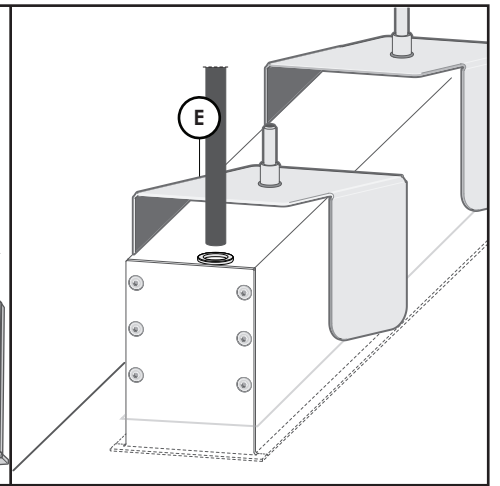
**11. IF MULTIPLE BODIES**

Slide 'Linear Connectors' (C) into sliding detail of 'Recessed body' (A).



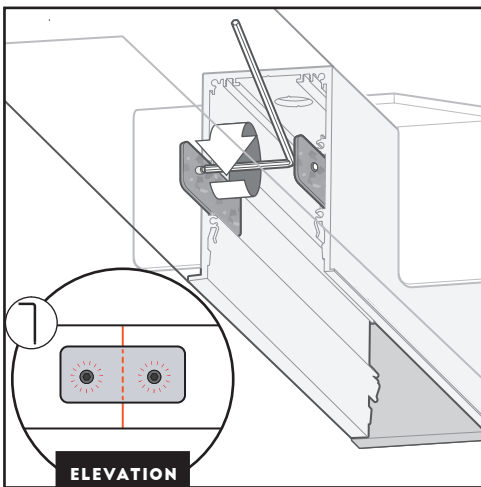
**12.**

Replicate stage 1-10 by installing first 'Recessed body' (A). Insert second 'Recessed body' (A).



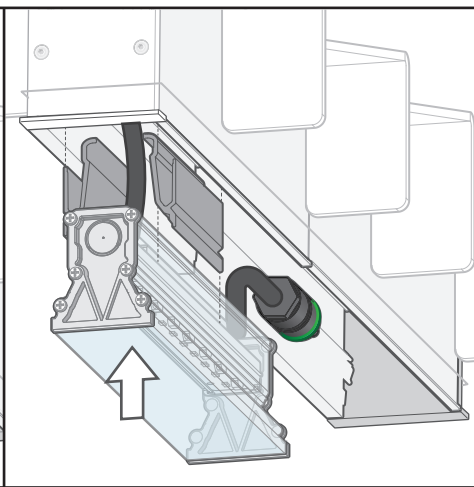
**13.**

With a Screwdriver; screw the bolt in 'Spring Clips' (E) to suspend the light fixture.



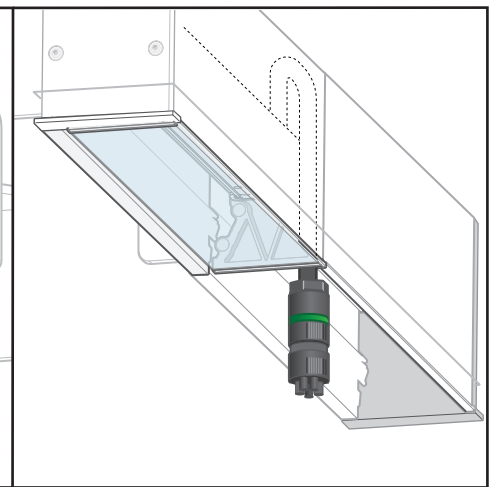
**14.**

Slide 'Linear Connector' (C) between bodies. Fasten all grub screws to fix multiple bodies together.



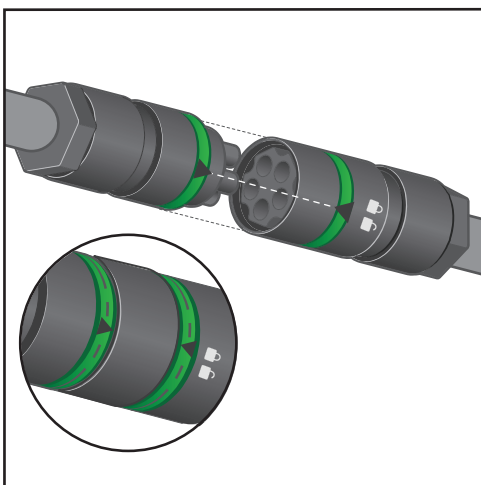
**15.**

Install Start 'Gear Tray' (B) by snap fitting into 'Clips' (D).



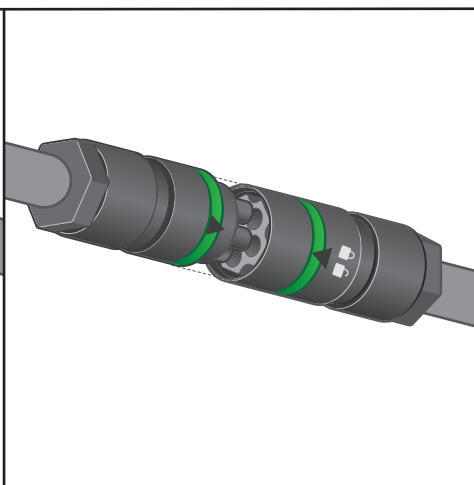
**16.**

Ensure 'through loom socket' hangs proud of 'Gear Tray' (B) and easily accessible.



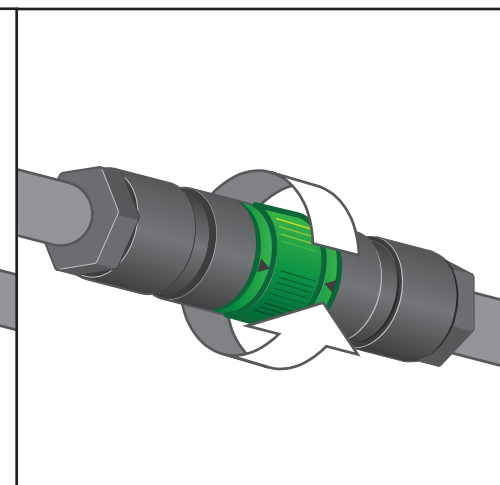
**17.**

Align socket to plug, locate markers to maintain correct polarity.



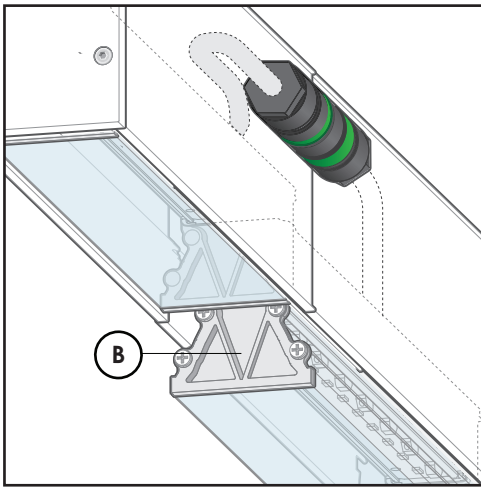
**18.**

Connect plugs.

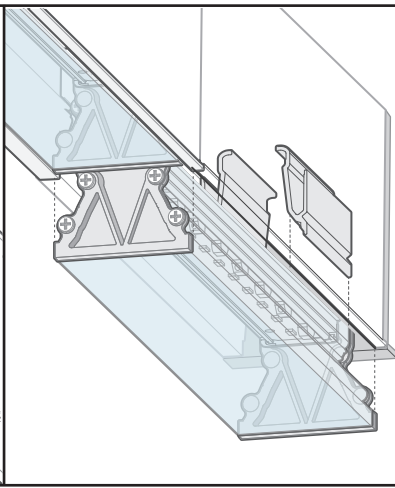


**19.**

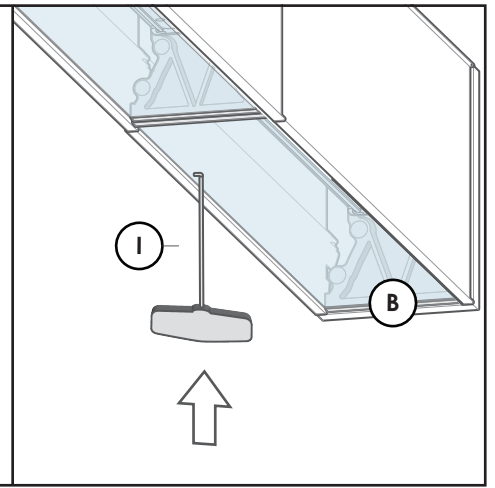
Rotate to locked position.



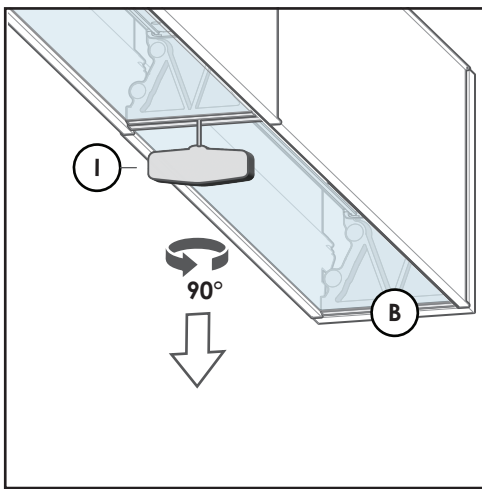
**20.** Insert 'Gear Tray' (B) into 'Recessed body' (A). Snake & guide 'through loom' to cavity between 'Gear Tray' (B) & 'Recessed body' (A).



**21.** Ensure 'Gear Tray' (B) snaps into all 'Clips' (D) and make sure the two safety lanyards (G) are attached to the body.



**MAINTENANCE IF MULTIPLE BODIES:** (Removing lens)  
Insert 'Lens Tool' (I) in between the 2 lenses (B).



With the lens tool inserted in between the 2 lenses (B), rotate the tool 90° degrees so that the flat part of the tool is positioned on the back of the lens (B). Slowly pull down to remove the lens from the clips.