

# HIP IP67

## WALL MOUNTED PROFILE

# DARKON™

THE EDGE OF LIGHT

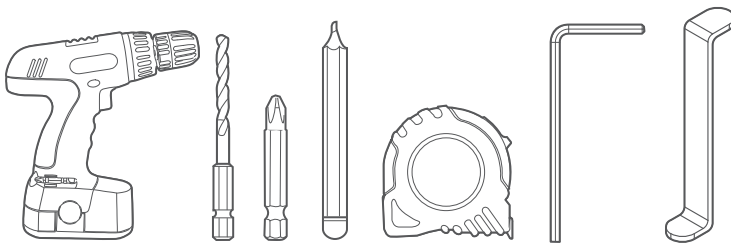
Ensure that products are mounted with supplied, recommended or appropriate screws and fixings to suit the mounting surface.

### WARNING

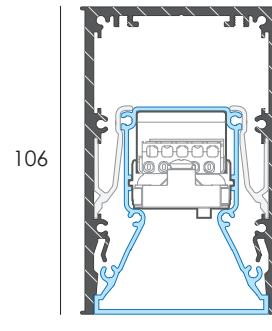
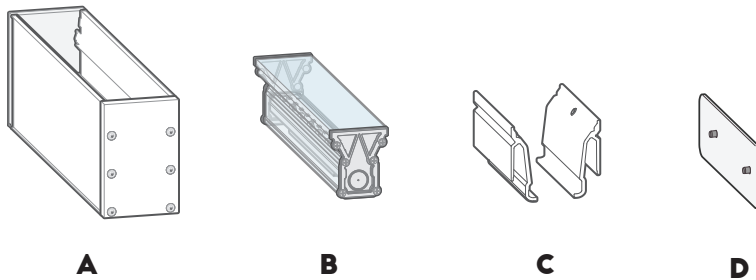
INSTALLATION IS ONLY TO BE CARRIED OUT BY SUITABLY QUALIFIED PERSONS IN ACCORDANCE WITH INSTALLATION INSTRUCTIONS AND ALL APPLICABLE REGULATIONS OR STANDARDS. (IMPROPER INSTALLATION CAN CREATE AN ELECTRICAL HAZARD WITH RISK OF ELECTRIC SHOCK, FIRE OR INJURY). DARKON WILL NOT BE HELD RESPONSIBLE FOR ANY CONSEQUENCES ARISING FROM IMPROPER PRODUCT HANDLING, STORAGE OR INSTALLATION.

### TOOLS REQUIRED

POWER DRILL / DRILL BIT / PHILLIPS DRIVER / PENCIL / TAPE MEASURE  
ALLEN KEY / LENS REMOVAL TOOL



### COMPONENTS



### MAINTENANCE

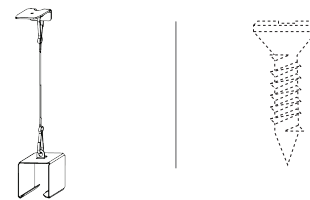
Wipe product with a clean dry microfiber cloth.



NOT SUPPLIED

### SERVICING

Sections of light trays can be replaced if deemed faulty



NOT SUPPLIED

ORIENTATION	DISTANCE		DESCRIPTION
	DOWN	UP	
A)	155 HORIZ 52 VERTICAL.	155 HORIZ 52 VERTICAL.	MOUNTING POINT
B)	PROFILE LENGTH ÷ 2 52 VERTICAL.		3RD MOUNTING LOCATION (IF LENGTH IS GREATER THAN 2.2M)
C)	50 HORIZ. 22 VERTICAL.	50 HORIZ. 58 VERTICAL.	POWERFEED LOCATION

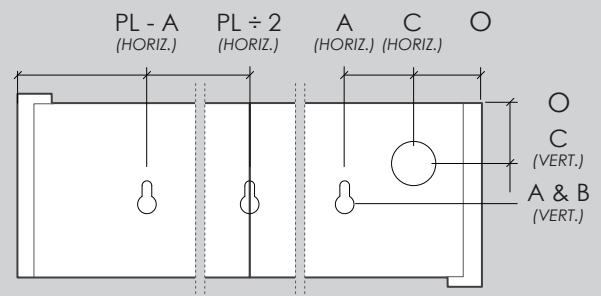
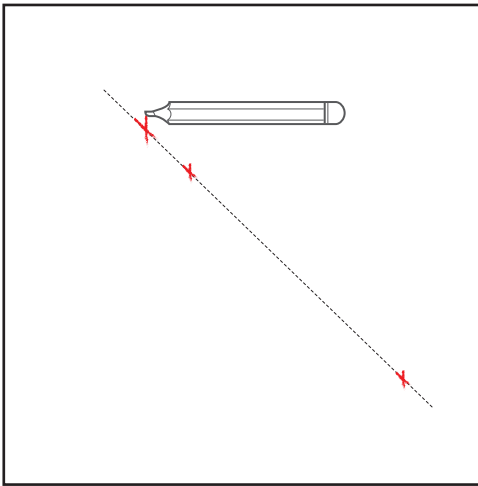
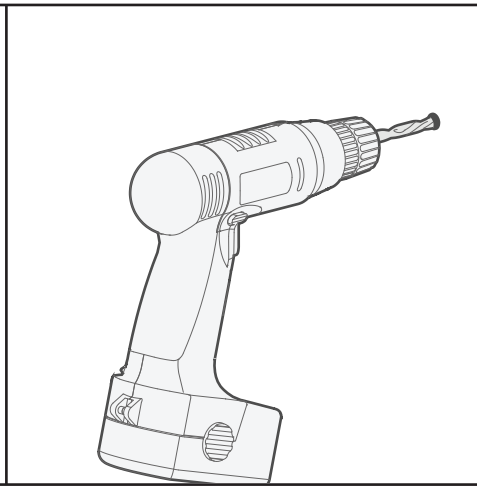


FIGURE 1. CRITICAL DIMENSIONS

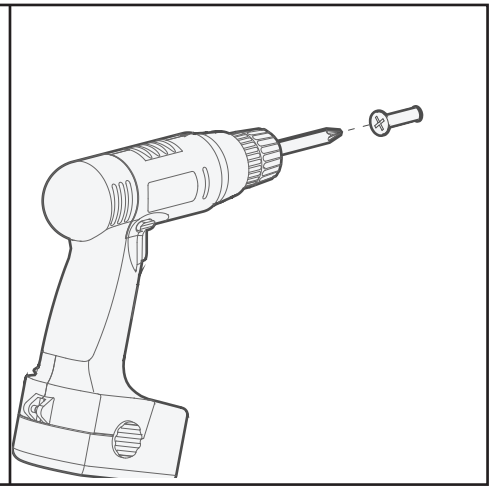




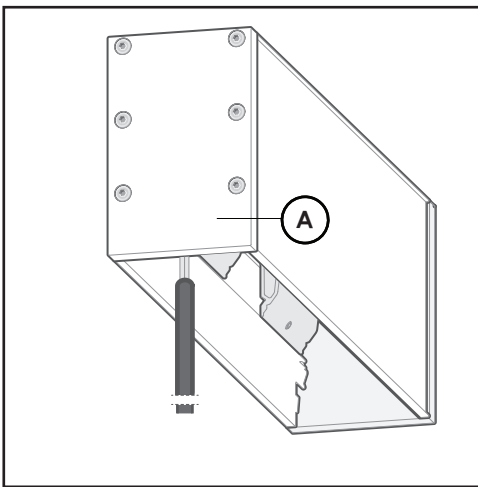
**1.** Mark & drill through 'Mainbody' (A). Refer to figure 1 for critical dimensions.



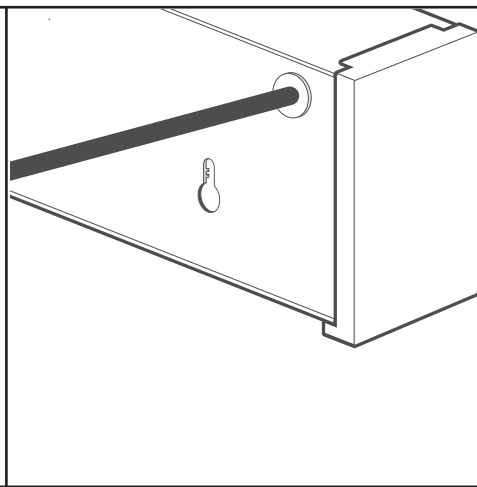
**2.** Measure and mark location of fitting.



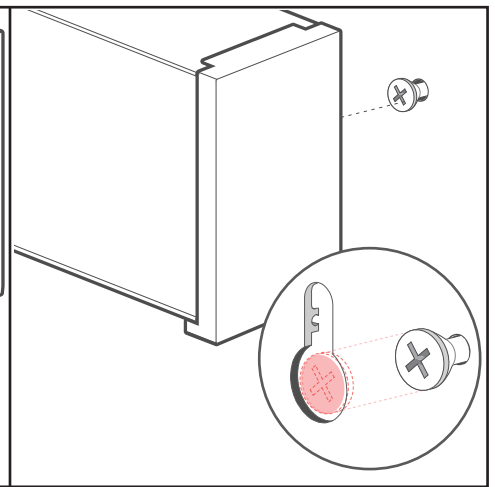
**3.** Drill all necessary powerfeed & pilot holes.



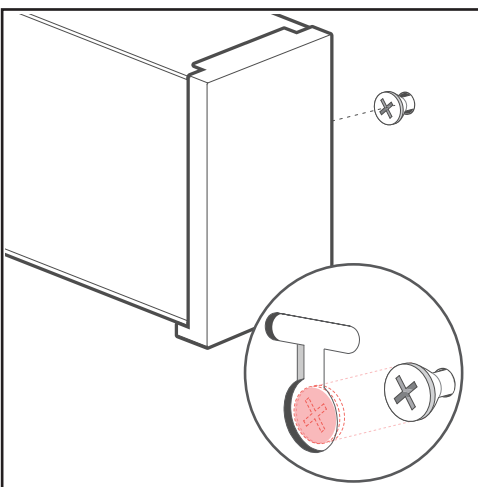
**4.** Feed cable through bush of rear 'Mainbody'(A).



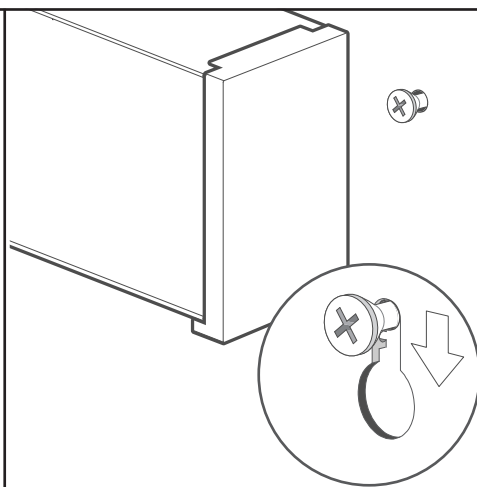
**5.** Feed cable through ceiling & mainbody(A)



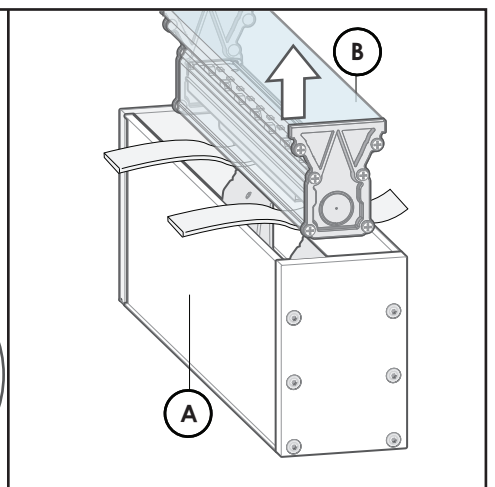
**6.** Fix mainbody(A) with appropriate mounting screws(F) to ceiling (screws not supplied).



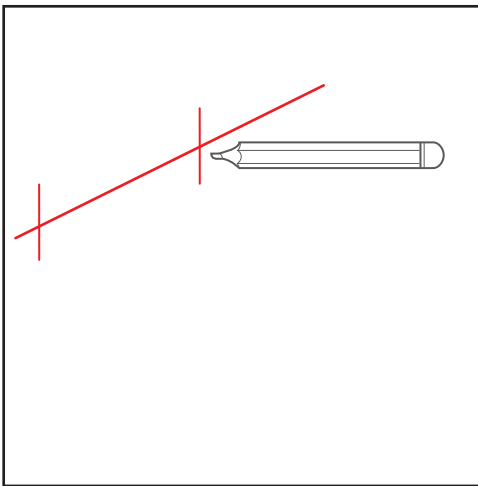
**6A. FOR SYSTEM BODIES**  
Fix mainbody(A) with appropriate mounting screws(F) to ceiling (screws not supplied).



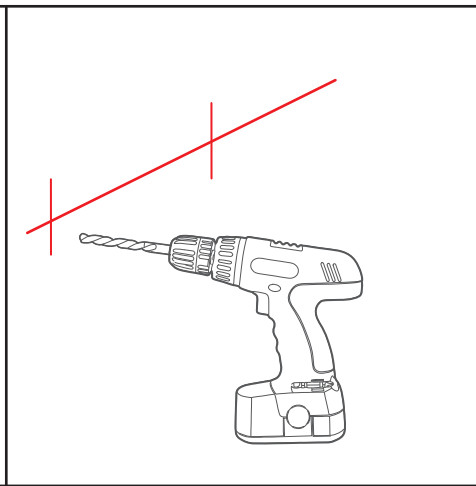
**7.** Fix screw into key slot.



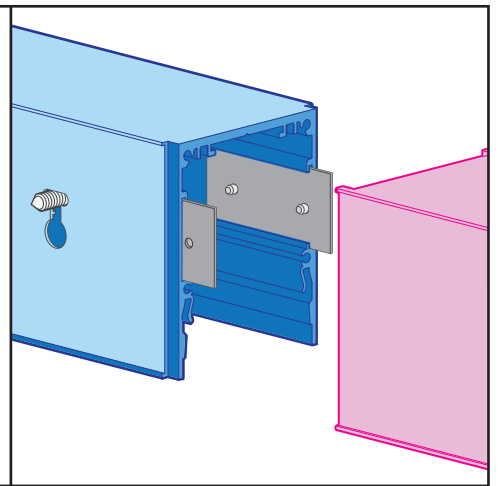
**8.** Remove lens(B) from the main body(A). Remove supplied straps.



**9.** Project line using Laser Plumb. Measure and mark location of fitting.

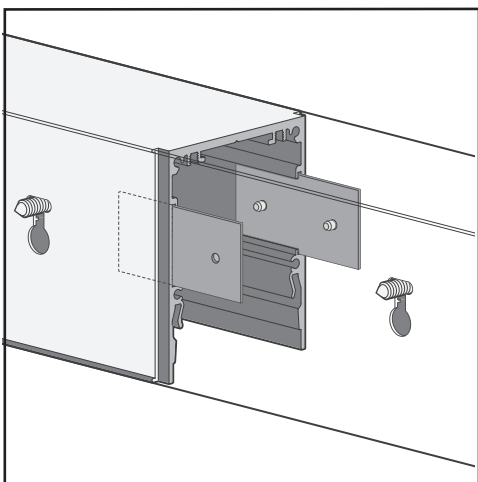


**10.** Drill all necessary powerfeed & pilot holes on wall.

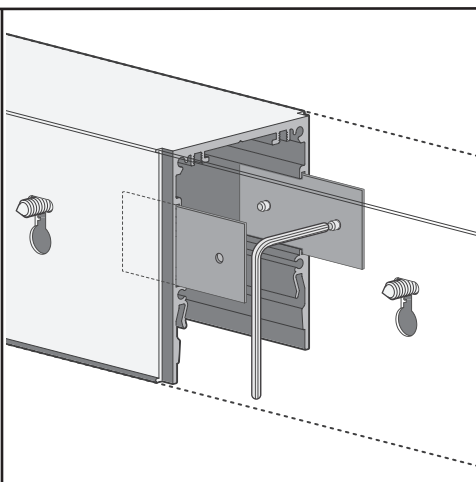


**11. IF MULTIPLE BODIES**

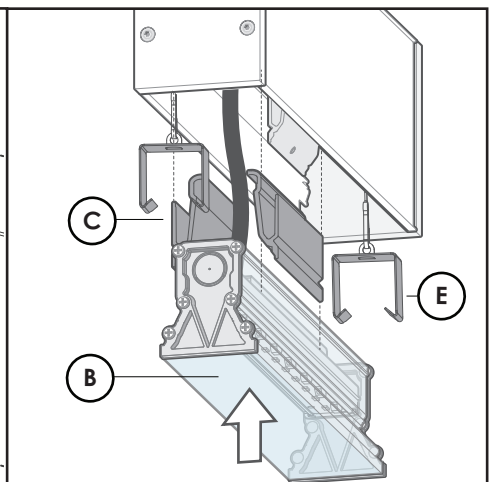
Replicate prior stages in order to install secondary body. Slide linear connectors into sliding detail.



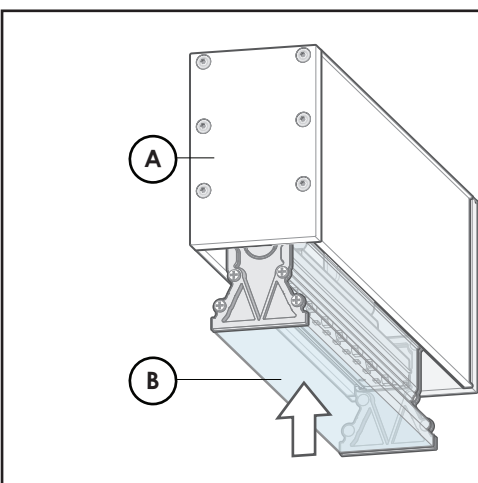
**12.** Ensure both bodies are butted up against each other. Slide linear Connector(D) between join.



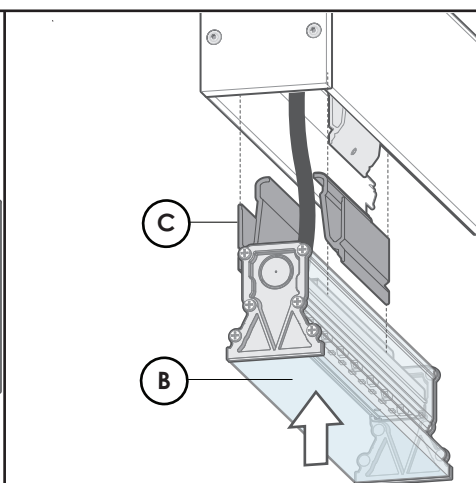
**13.** Fasten all grub screws to fix multiple bodies together.



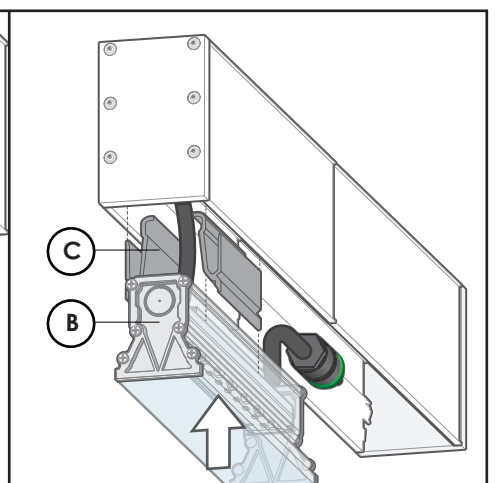
**14.** Install 'Start Gear Tray'(B) by snap fitting into Clips(D) and make sure the two safety lanyards (E) are attached to the body.



**15.** Insert 'Gear Tray'(B) into 'Mainbody'(A).

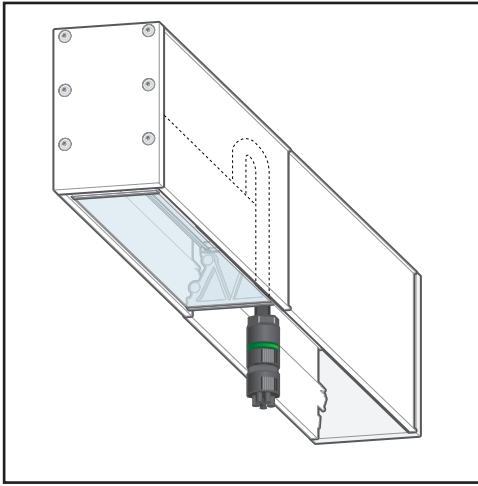


**16.** Install Start Gear Tray(B) by snap fitting into Clips(D).

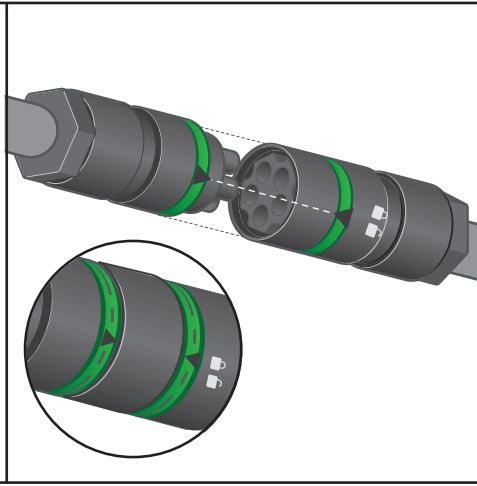


**16A. IF A SYSTEM**

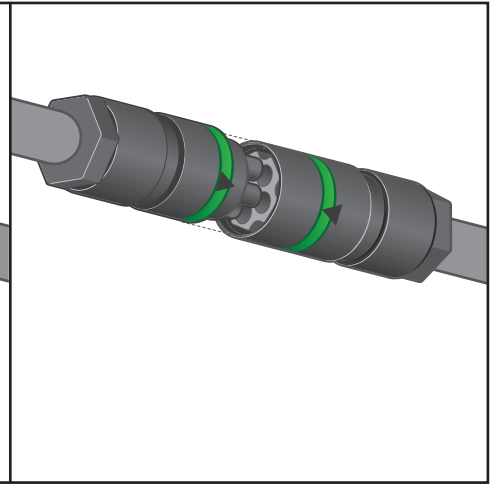
Install 'Start Gear Tray'(B) by snap fitting into 'Clips'(C).



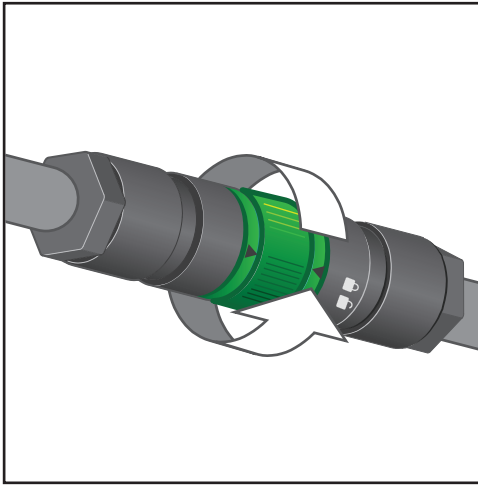
**17.** Ensure 'through loom socket' hangs proud of 'Gear Tray'(B) and easily accessible.



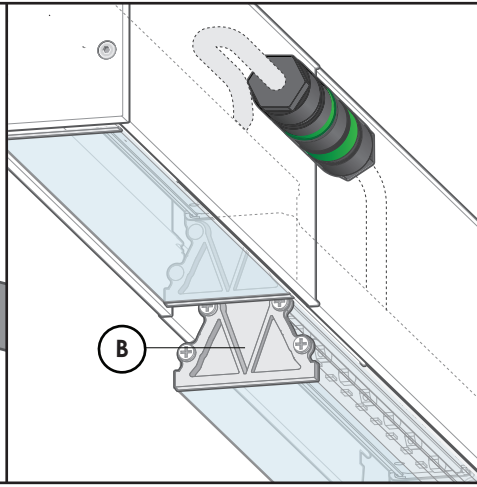
**18.** Align socket to plug, locate triangle markers to maintain correct polarity.



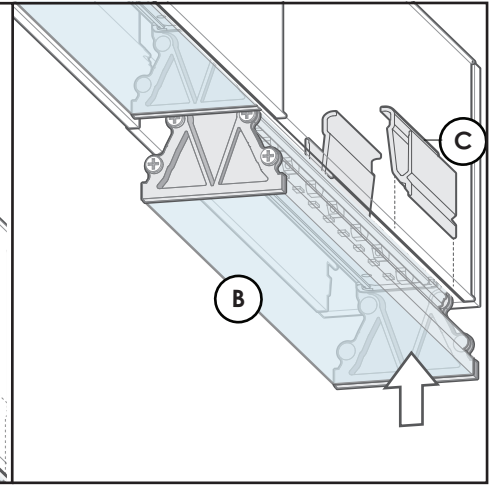
**19.** Connect plugs.



**20.** Rotate to locked position..



**21.** Insert 'Gear Tray'(B) into 'Mainbody'(A). Snake & guide 'through loom' to cavity between 'Gear Tray'(B) & 'Mainbody'(A).



**22.** Ensure 'Gear Tray'(B) snaps into all 'Clips'(C).