

HIP IP67 SM

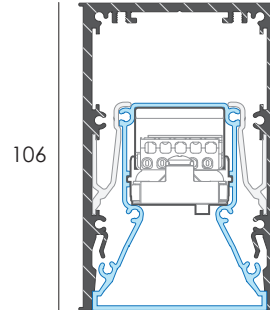
SURFACE MOUNTED PROFILE

DARKON™
THE EDGE OF LIGHT

Ensure that products are mounted with supplied, recommended or appropriate screws and fixings to suit the mounting surface.

WARNING

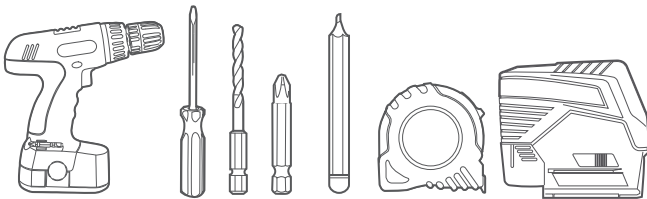
INSTALLATION IS ONLY TO BE CARRIED OUT BY SUITABLY QUALIFIED PERSONS IN ACCORDANCE WITH INSTALLATION INSTRUCTIONS AND ALL APPLICABLE REGULATIONS OR STANDARDS. (IMPROPER INSTALLATION CAN CREATE AN ELECTRICAL HAZARD WITH RISK OF ELECTRIC SHOCK, FIRE OR INJURY). DARKON WILL NOT BE HELD RESPONSIBLE FOR ANY CONSEQUENCES ARISING FROM IMPROPER PRODUCT HANDLING, STORAGE OR INSTALLATION.



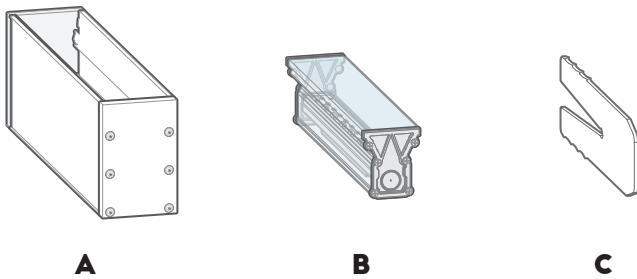
69

TOOLS REQUIRED

POWER DRILL / FLAT SCREW DRIVER / DRILL BIT / PHILLIPS DRIVER / PENCIL / TAPE MEASURE LASER PLUMB.



COMPONENTS



A

B

C

MAINTENANCE

Wipe product with a clean dry microfiber cloth.

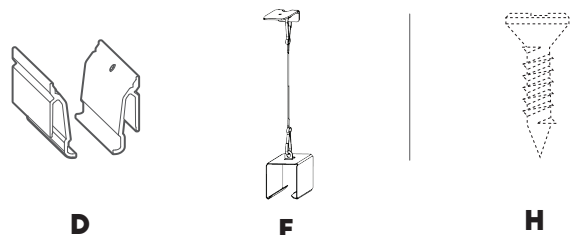


SERVICING

Sections of light trays can be replaced if deemed faulty

FIXINGS

IP GROMMET / APPROPRIATE MOUNTING SCREWS



D

F

H

NOT SUPPLIED

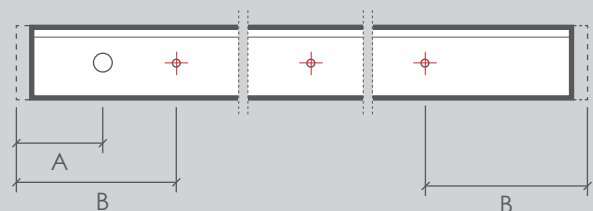
DISTANCE

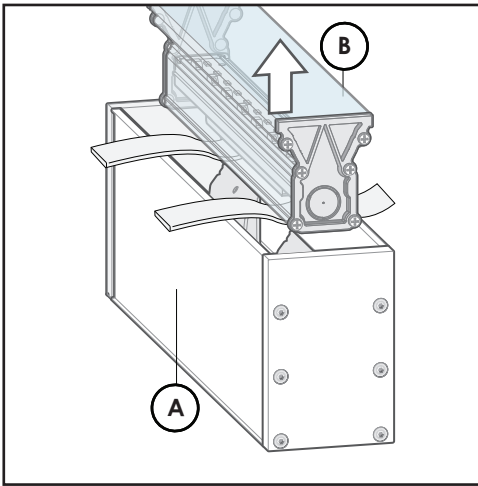
DESCRIPTION

A)	67MM	POWERFEED DIMENSION
B)	PROFILE LENGTH ÷ 2	3RD MOUNTING LOCATION (IF LENGTH IS GREATER THAN 2.2M)

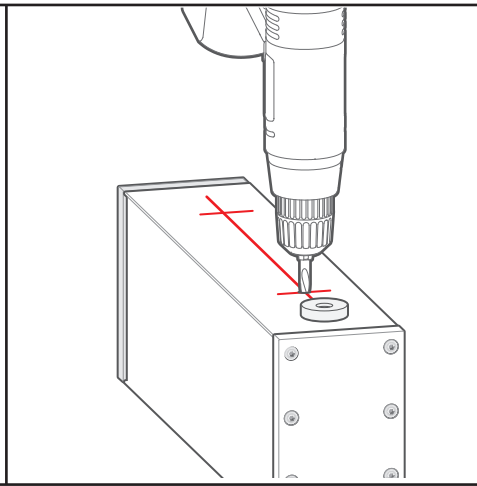
SUSPENSION DIMENSIONS

FIGURE 1. DIMENSIONS BASED OFF MAINBODY, NOT INCLUDING THICKNESS OF END CAP.

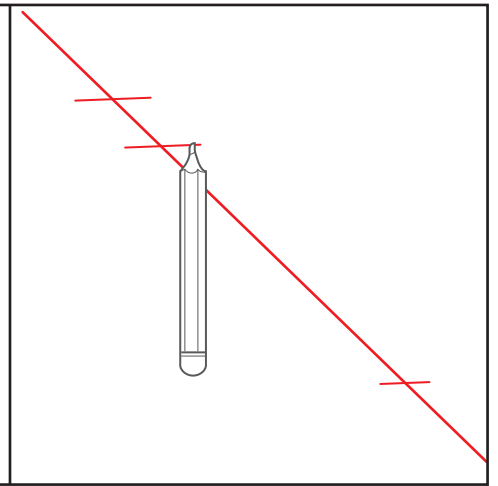




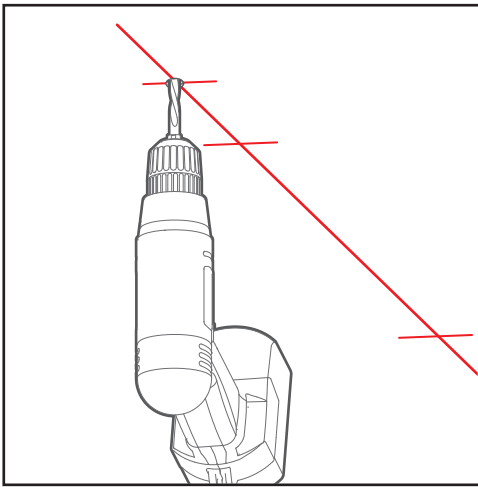
1. Remove Gear Tray(B) from the main body(A). Remove supplied straps.



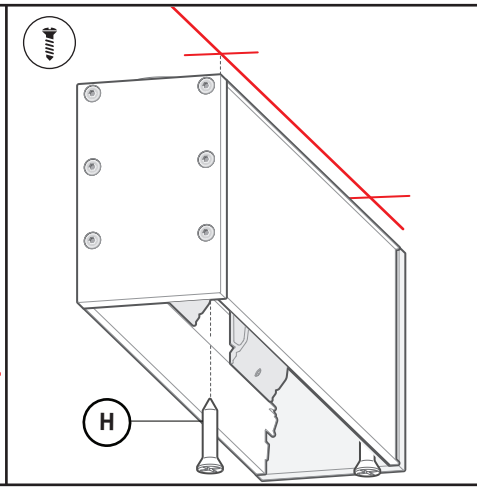
2. Mark & drill necessary sized clearance holes through 'Main-body'(A) to suit Screws(H). Screws not supplied.



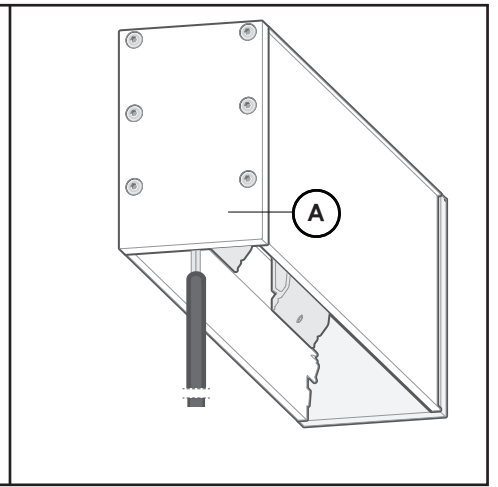
3. Project line using Laser Plumb. Measure and mark location of fitting.



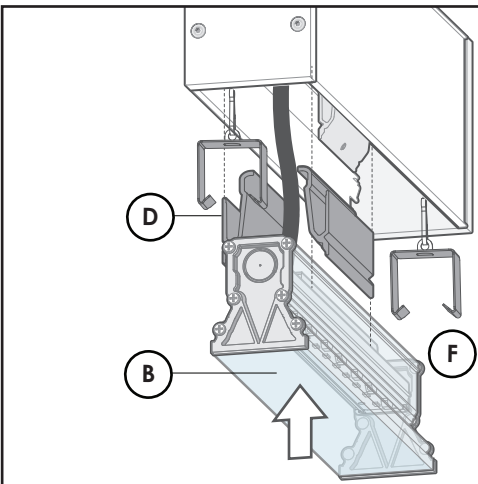
4. Drill all necessary powerfeed & pilot holes on ceiling.



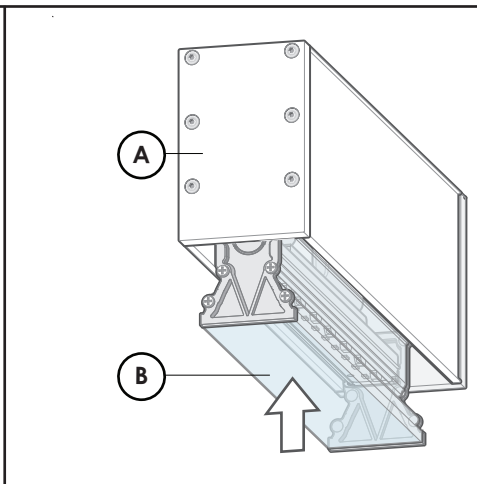
5. Fix 'Mainbody'(A) with appropriate mounting screws(H) to ceiling.



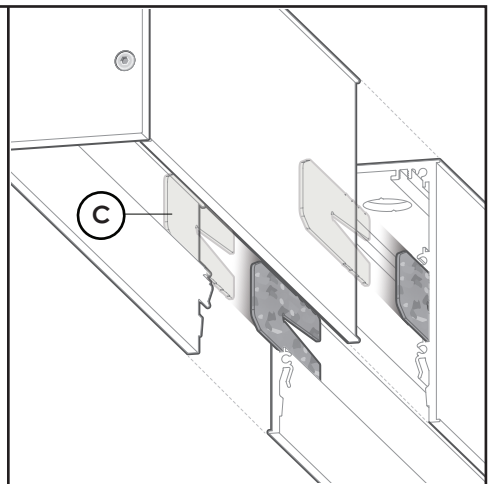
6. Feed cable through 'Mainbody'(A).



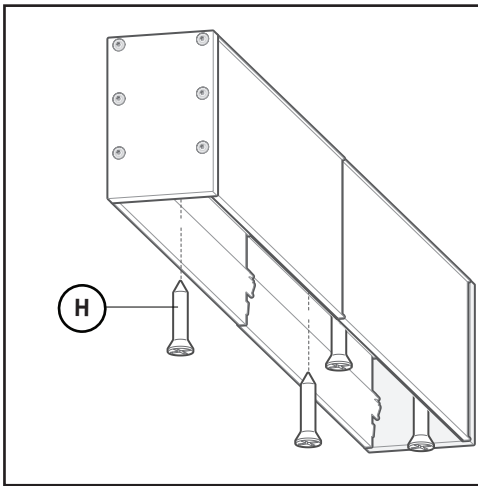
7. Install 'Start Gear Tray'(B) by snap fitting into Clips(D) and make sure the two safety lanyards (F) are attached to the body.



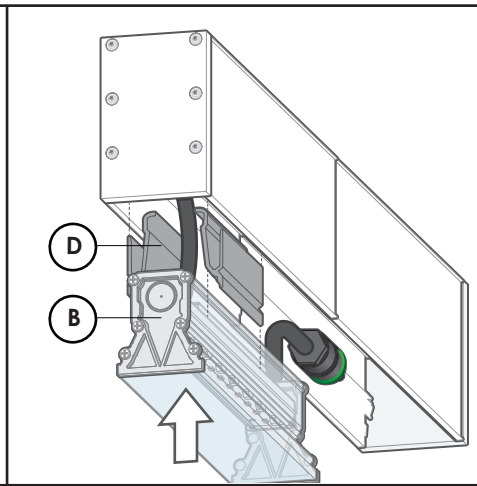
8. Insert 'Gear Tray'(B) into 'Mainbody'(A).



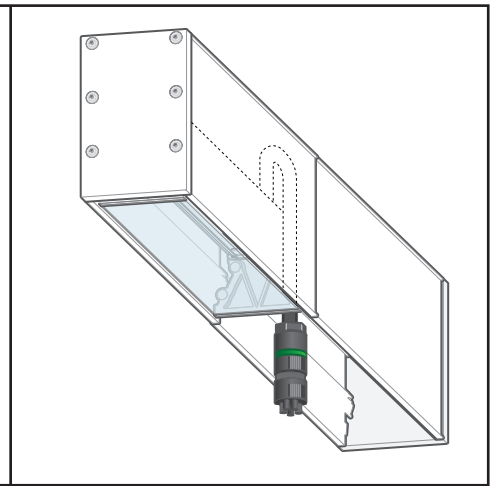
9. IF MULTIPLE BODIES
Align Linear Connectors(C) in sliding detail of Mainbody(A).



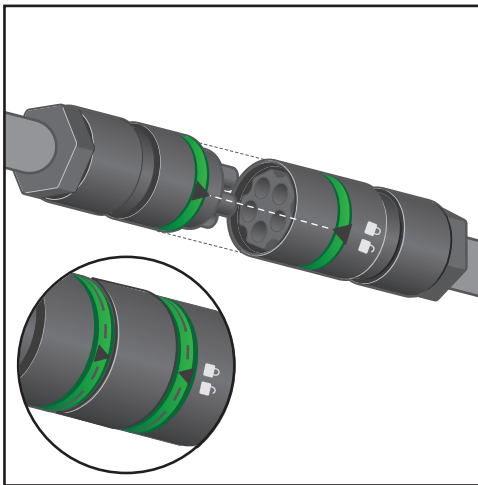
10.
Fix 'Mainbody' (A) with appropriate mounting screws (H) to ceiling.



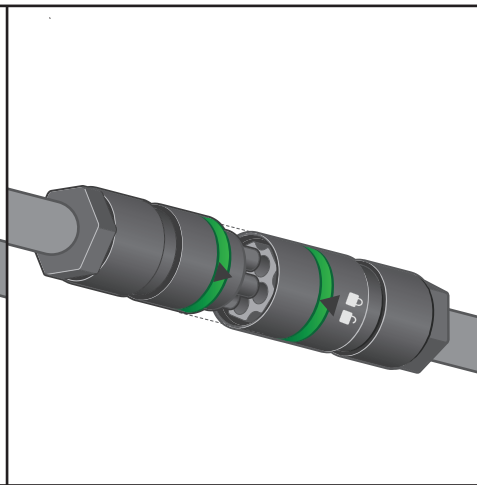
11.
Install 'Start Gear Tray' (B) by snap fitting into 'Clips' (D) and make sure the two safety lanyards (F) are attached to the body..



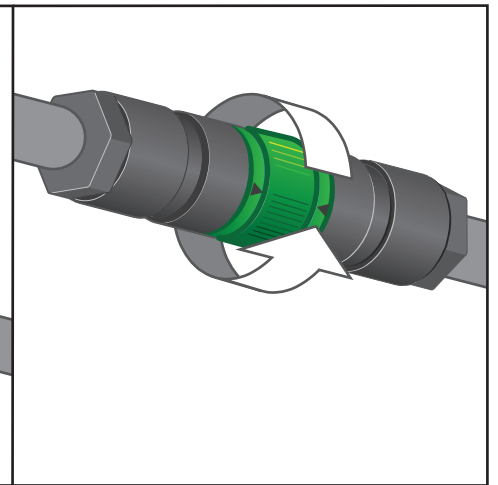
12.
Ensure 'through loom socket' hangs proud of 'Gear Tray' (B) and easily accessible.



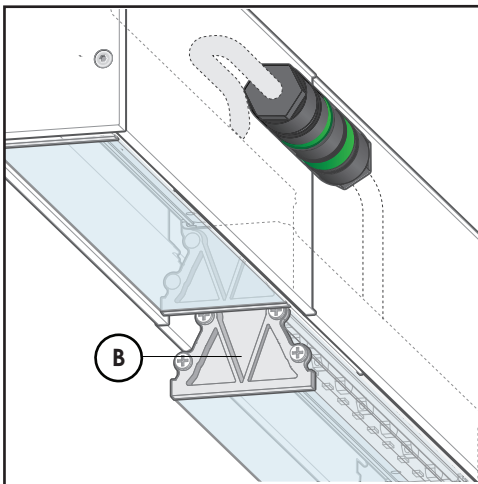
13.
Align socket to plug, locate markers to maintain correct polarity.



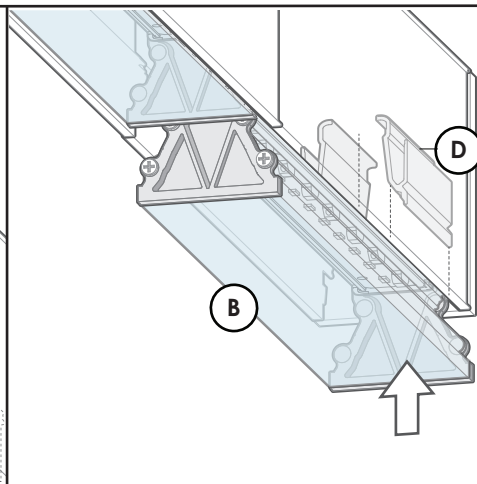
14.
Connect plugs.



15.
Rotate to locked position.



16.
Insert 'Gear Tray' (B) into 'Mainbody' (A). Snake & guide 'through loom' to cavity between 'Gear Tray' (B) & 'Mainbody' (A).



17.
Ensure 'Gear Tray' (B) snaps into all 'Clips' (D) and make sure the two safety lanyards (G) are attached to the body.