

# HIP IP55

SURFACE MOUNTED PROFILE

**DARKON™**  
THE EDGE OF LIGHT

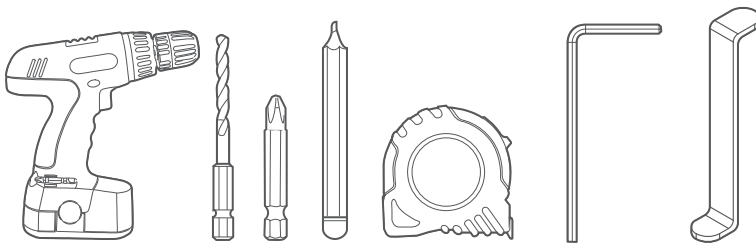
Ensure that products are mounted with supplied, recommended or appropriate screws and fixings to suit the mounting surface.

## WARNING

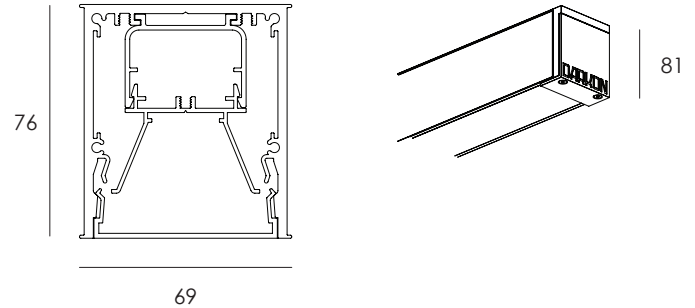
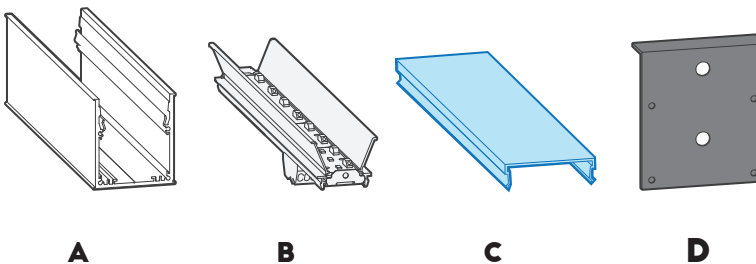
INSTALLATION IS ONLY TO BE CARRIED OUT BY SUITABLY QUALIFIED PERSONS IN ACCORDANCE WITH INSTALLATION INSTRUCTIONS AND ALL APPLICABLE REGULATIONS OR STANDARDS. (IMPROPER INSTALLATION CAN CREATE AN ELECTRICAL HAZARD WITH RISK OF ELECTRIC SHOCK, FIRE OR INJURY). DARKON WILL NOT BE HELD RESPONSIBLE FOR ANY CONSEQUENCES ARISING FROM IMPROPER PRODUCT HANDLING, STORAGE OR INSTALLATION.

## TOOLS REQUIRED

POWER DRILL / DRILL BIT / PHILLIPS DRIVER / PENCIL / TAPE MEASURE  
ALLEN KEY / LENS REMOVAL TOOL



## COMPONENTS

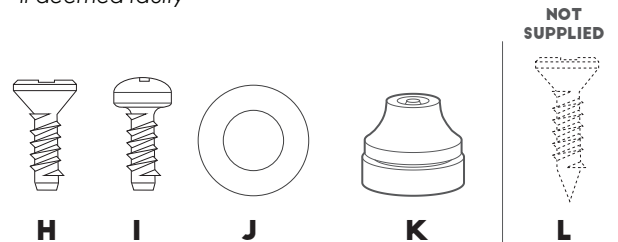


## MAINTENANCE

Wipe product with a clean dry microfiber cloth.

## SERVICING

'Remote driver' can be replaced if deemed faulty



## FIXINGS

M3 COUNTERSUNK BOLT / PANHEAD SCREW / O-RING / IP GROMMET  
APPROPRIATE MOUNTING SCREWS (NOT SUPPLIED)

DISTANCE	DESCRIPTION
A)	45MM POWERFEED DIMENSION
B)	150MM MOUNTING LOCATION
C)	PROFILE LENGTH ÷ 2 3RD MOUNTING LOCATION (IF LENGTH IS GREATER THAN 2.2M)

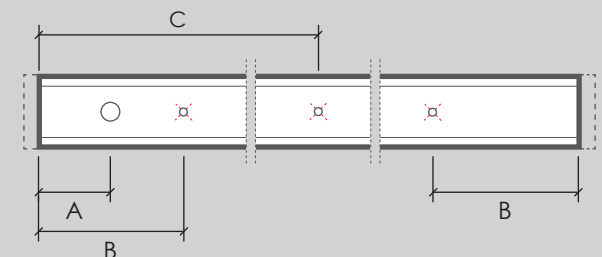
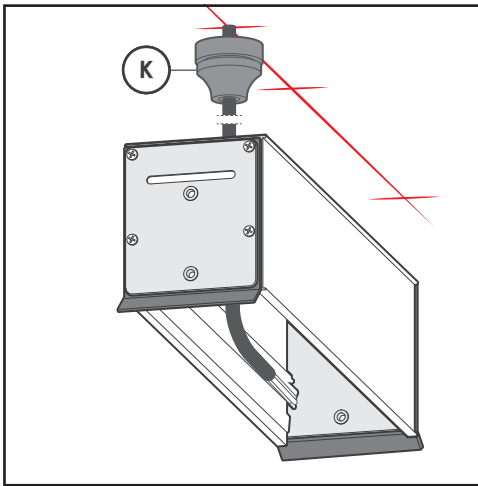


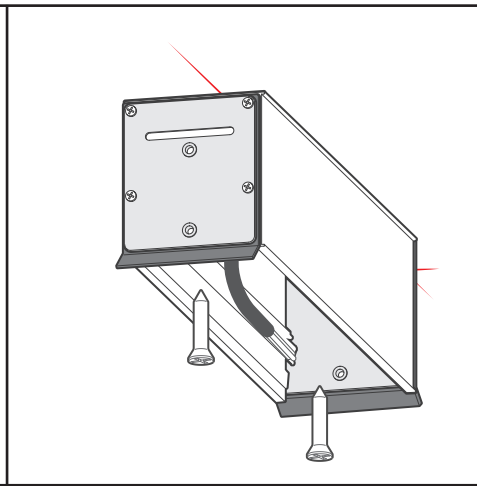
FIGURE 1. CRITICAL DIMENSIONS



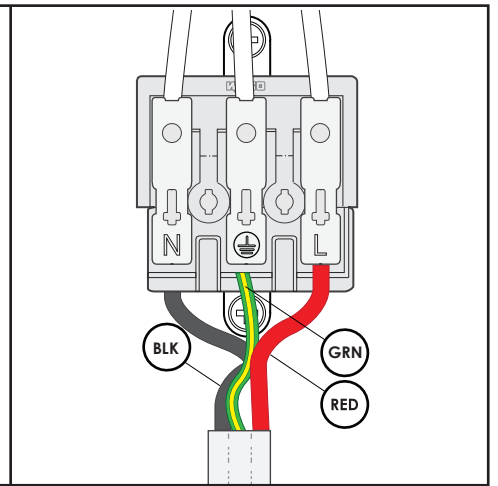




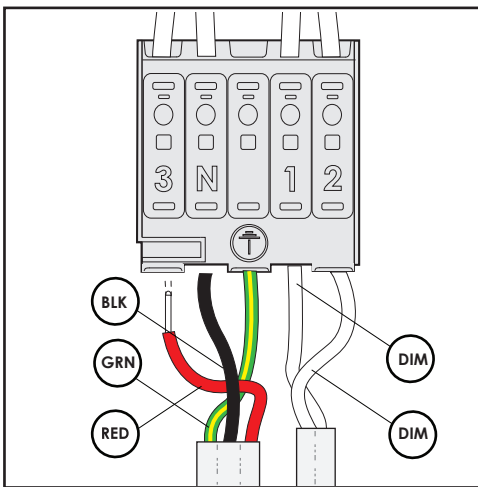
**10.**  
Feed cable through ceiling & 'IP Grommet'(K).



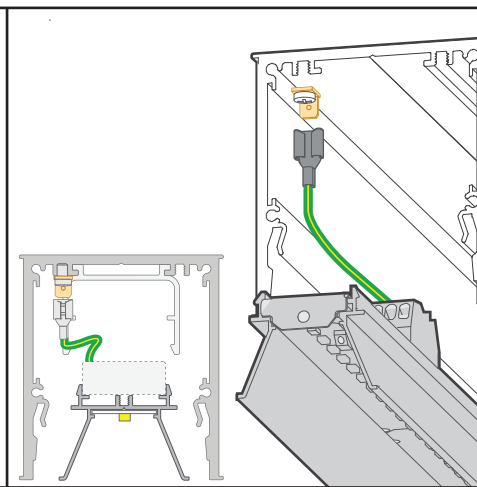
**11.**  
Fix mainbody(A) with appropriate mounting screws(L) to ceiling (screws not supplied).



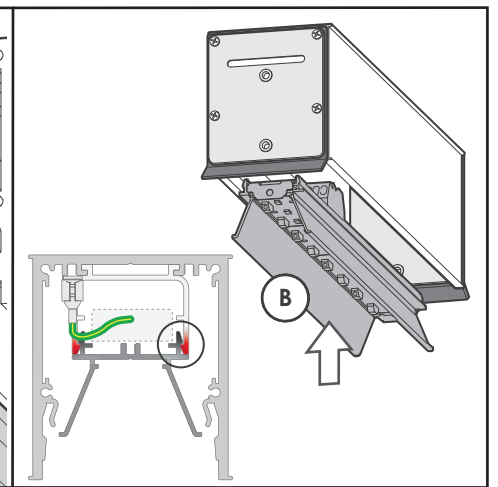
**12A. IF NON DIM**  
Wire primary wires into terminal.



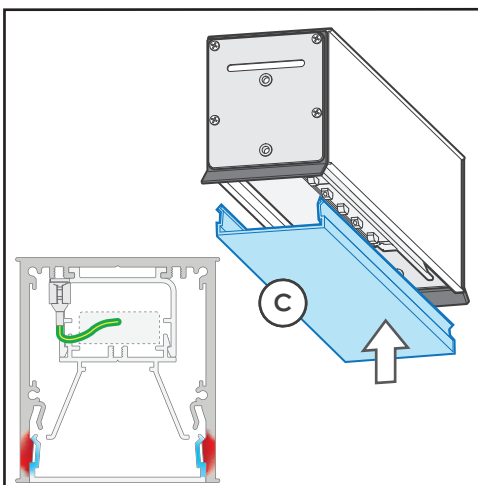
**12B. IF DIM**  
Wire primary wires into terminal.  
Wire dimming wires into terminal.



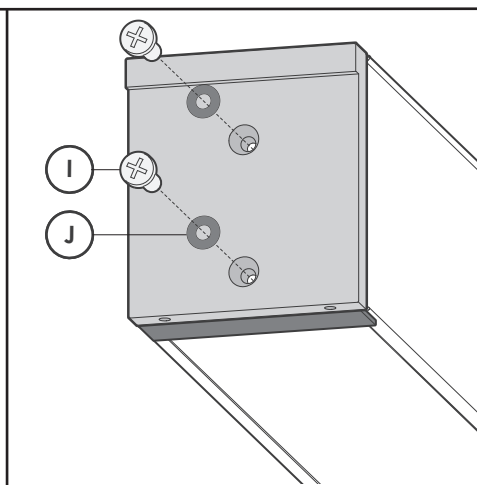
**13.**  
Insert Earth spade into Terminal.



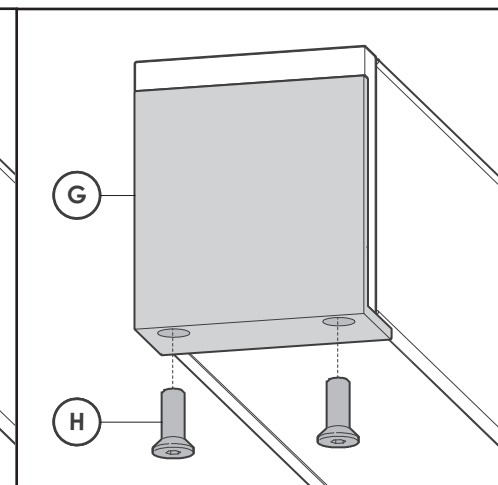
**14.**  
Install light tray(B) by snap fitting into clips.  
Centre light tray.



**15.**  
Install Lens(C) by snap fitting into clipping detail. Centre lens.



**16.**  
Thread retained 'O-Rings'(J) through Bolts (I) and install 'Endcap' (F).



**17.**  
Install 'L Plate'(G) with retained 'Countersunk bolts' (H).