

DEEP DOWN SM IT

SURFACED MOUNTED

DARKON™

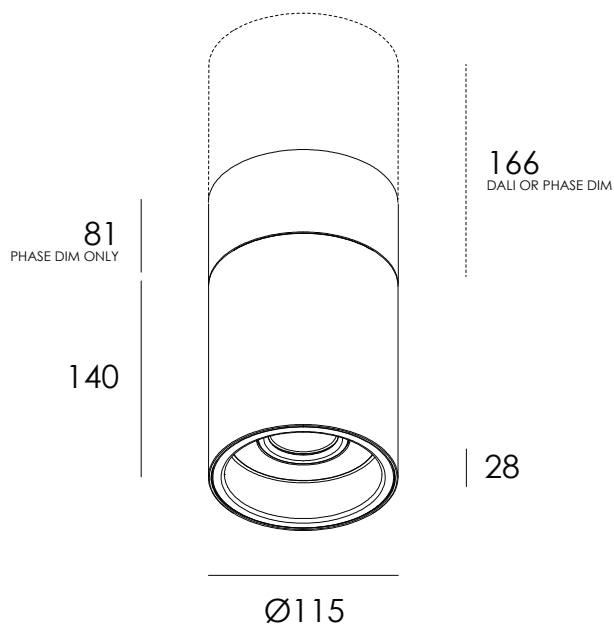
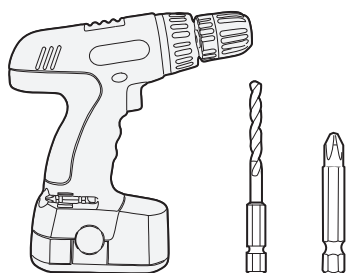
THE EDGE OF LIGHT

INSTALLATION: Ensure that products are mounted with supplied, recommended or appropriate screws and fixings to suit the mounting surface.

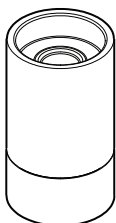
WARNING: Installation is only to be carried out by suitably qualified persons in accordance with installation instructions and all applicable regulations or standards. (Improper installation can create an electrical hazard with risk of electric shock, fire or injury). Darkon will not be held responsible for any consequences arising from improper product handling, storage or installation.

TOOLS REQUIRED:

Power drill / Drill bit / Phillips Driver.



COMPONENTS:



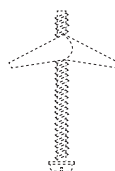
A XI



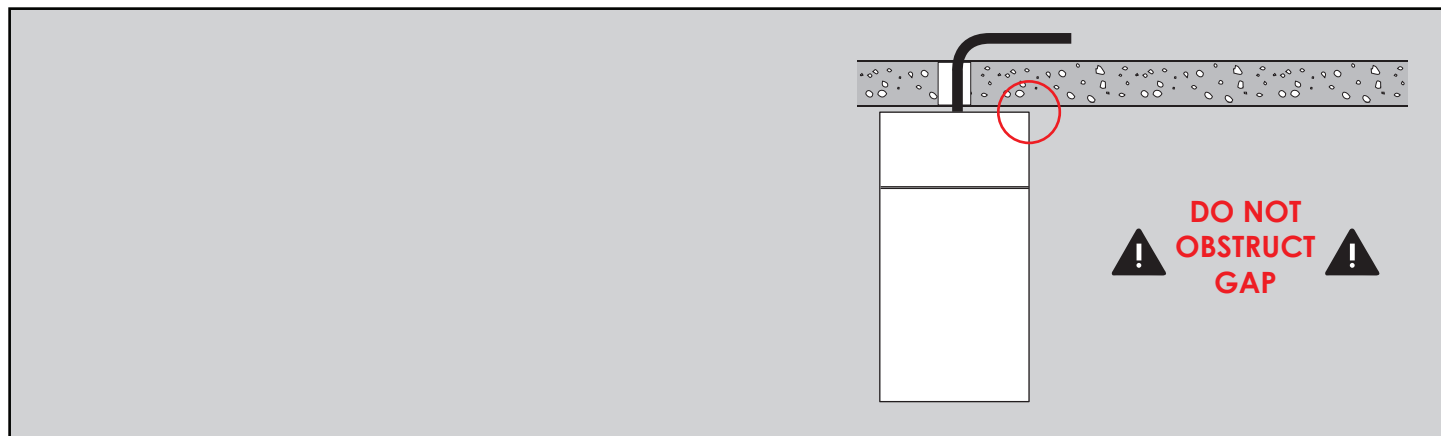
B XI

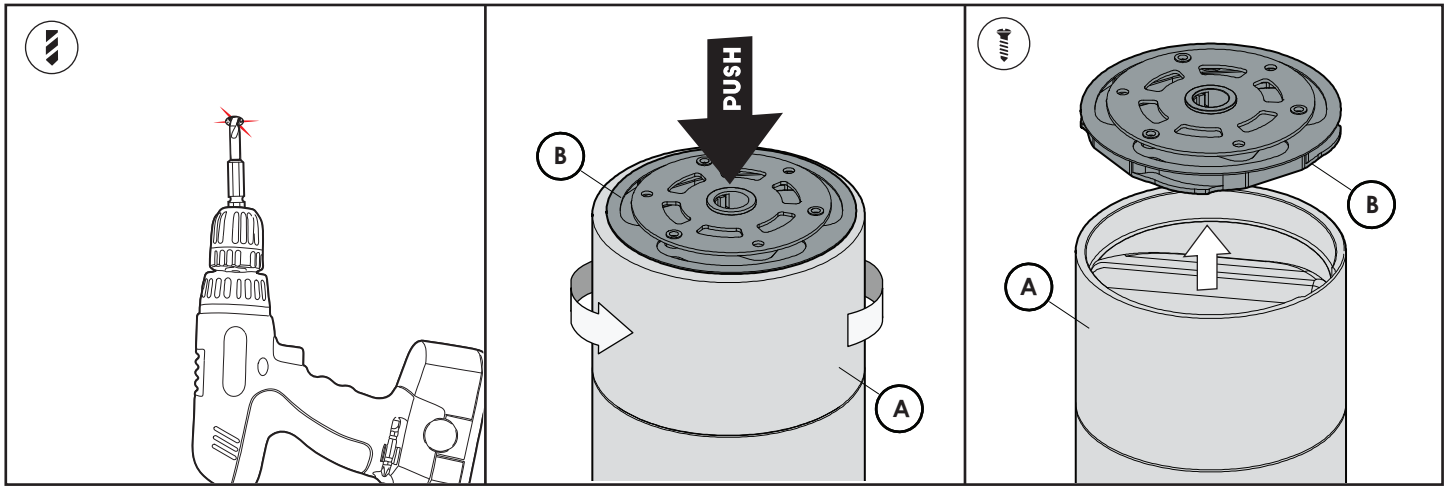


C XI



D (NOT SUPPLIED)

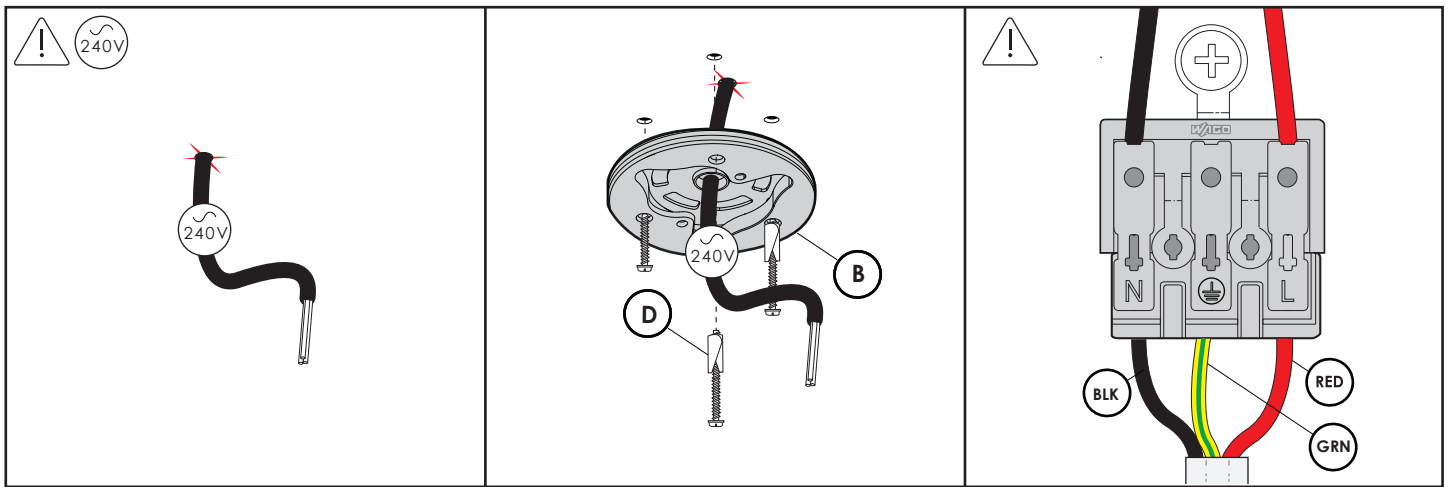




1.
-Mark and drill all necessary holes for powerfeed & mounting holes with an appropriate drill bit.

2.
-Push down on the mounting disk(B)

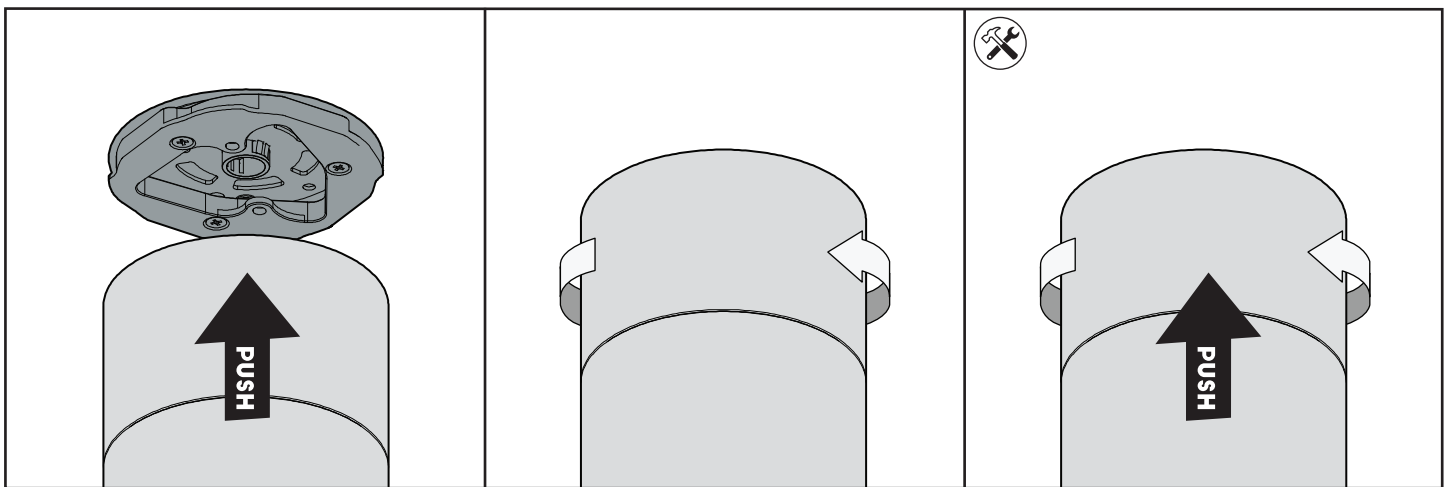
3.
-Remove mounting disk by rotating anti clockwise.



4.
-Pull the power cable through the drilled hole.

5.
-Thread powercable (240v) through mounting disk and install with appropriate fasteners(not supplied).

6.
-Wire the primary wires.



7.
-Insert and push Tube mainbody(A) into mounting disk(B).

8.
-Rotate Tube mainbody(A) to engage bayonet mechanism.

9. IF REQUIRING REMOVAL
-Push Tube mainbody(A) up and rotate anti clockwise.