

DEEP DOWN MINI

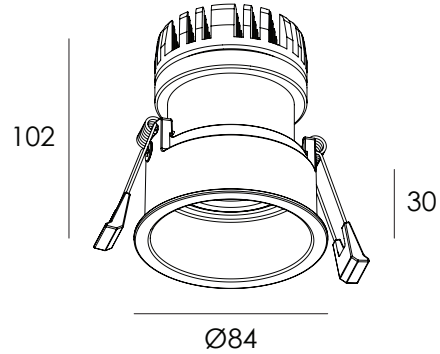
RECESSED LUMINAIRE

DARKON™
THE EDGE OF LIGHT

Ensure that products are mounted with supplied, recommended or appropriate screws and fixings to suit the mounting surface.

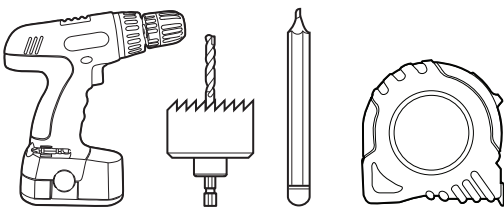
WARNING

INSTALLATION IS ONLY TO BE CARRIED OUT BY SUITABLY QUALIFIED PERSONS IN ACCORDANCE WITH INSTALLATION INSTRUCTIONS AND ALL APPLICABLE REGULATIONS OR STANDARDS. (IMPROPER INSTALLATION CAN CREATE AN ELECTRICAL HAZARD WITH RISK OF ELECTRIC SHOCK, FIRE OR INJURY). DARKON WILL NOT BE HELD RESPONSIBLE FOR ANY CONSEQUENCES ARISING FROM IMPROPER PRODUCT HANDLING, STORAGE OR INSTALLATION.

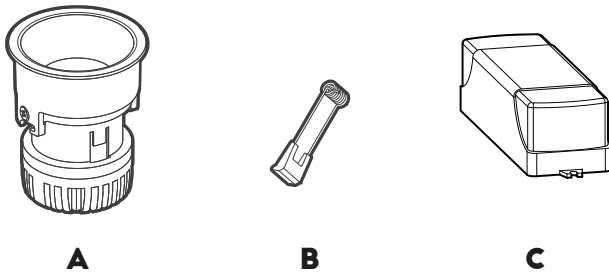


TOOLS REQUIRED

WALLBOARD SAW / SCREW DRIVER / PENCIL / APPROPRIATE MEASURING INSTRUMENTS



COMPONENTS



MAINTENANCE



Wipe product with a clean dry microfiber cloth. Do not use any cleaning products/ chemicals to clean product.

SERVICING

This is a non-servicable fitting. Remote powersupply can be replaced if deemed faulty.

NOTE:



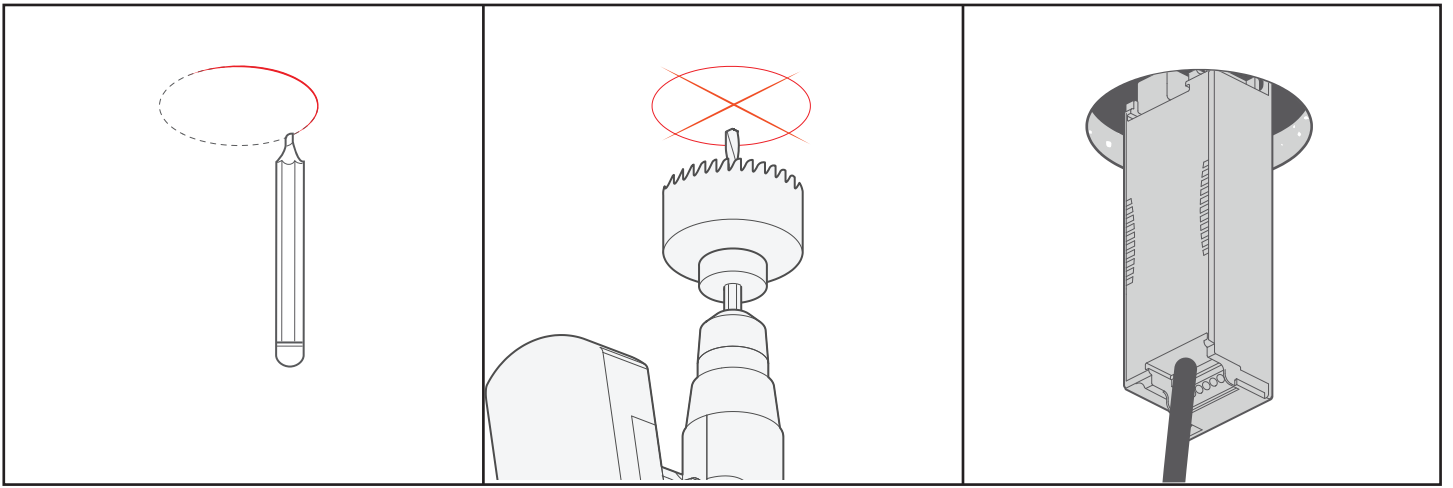
FOR OPTIMAL LONGEVITY, ENSURE UNRESTRICTED AIRFLOW OVER LUMINAIRE. DO NOT COVER W/ INSULATION

DISTANCE	DESCRIPTION
A) 50MM (MINIMUM)	CLEARANCE FOR TOP OF LUMINAIRE
B) 50MM	MOUNTING BRKT CLEARANCE
C) Ø76mm	CUTOUT

MINIMUM AREA REQUIREMENT
FIGURE 1.

FOR OPTIMAL LONGEVITY, ENSURE UNRESTRICTED AIRFLOW OVER LUMINAIRE & REMOTE DRIVER.
DO NOT COVER LUMINAIRE OR DRIVER WITH INSULATION. DO NOT STACK DRIVERS.

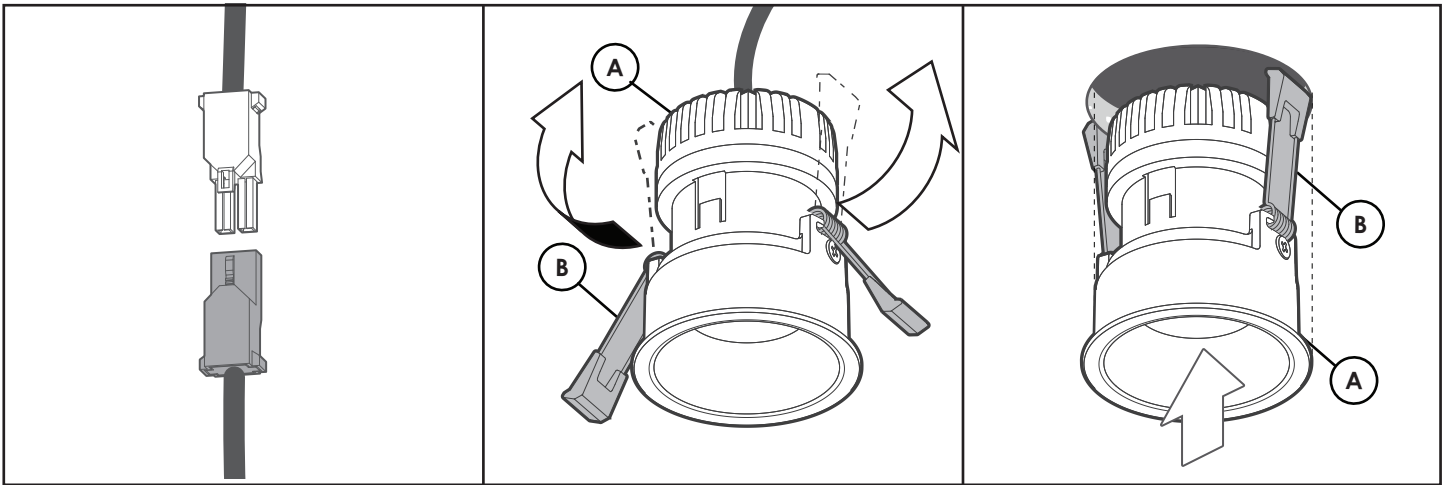




1.
Measure and mark the appropriate placement of luminaire. Refer to figure A for critical dimensions.

2.
Using a holesaw, cut out the necessary hole for the luminaire.

3.
Insert driver into cutout.



4.
Connect appropriate plugs.

5.
Pullback spring clips

6.
Insert downlight(A) into the cutout, ensure spring clips are installed correctly.