

DOUBLE DOWN REC

RECESSED

DARKON™

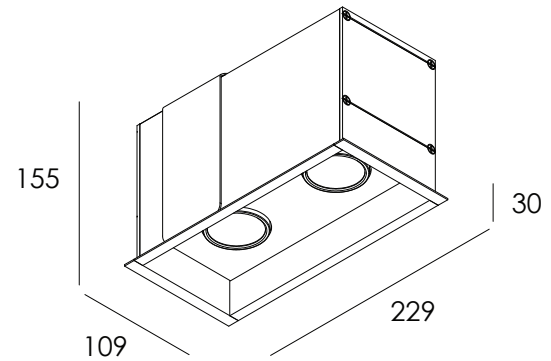
THE EDGE OF LIGHT

INSTALLATION

Ensure that products are mounted with supplied, recommended or appropriate screws and fixings to suit the mounting surface.

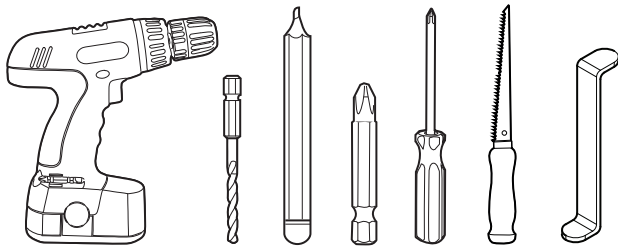
WARNING

Installation is only to be carried out by suitably qualified persons in accordance with installation instructions and all applicable regulations or standards. (Improper installation can create an electrical hazard with risk of electric shock, fire or injury). Darkon will not be held responsible for any consequences arising from improper product handling, storage or installation.

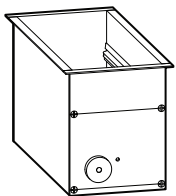


TOOLS REQUIRED

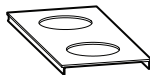
Power drill / Drill bit / Pencil / Philips driver or Phillips Screw driver / Wallboard Saw / Lens Removal Tool.



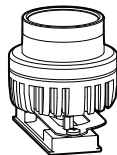
COMPONENTS



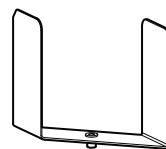
A XI



B XI



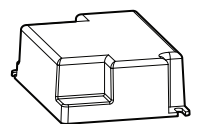
C XI



D XI



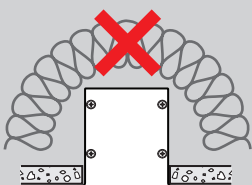
E XI



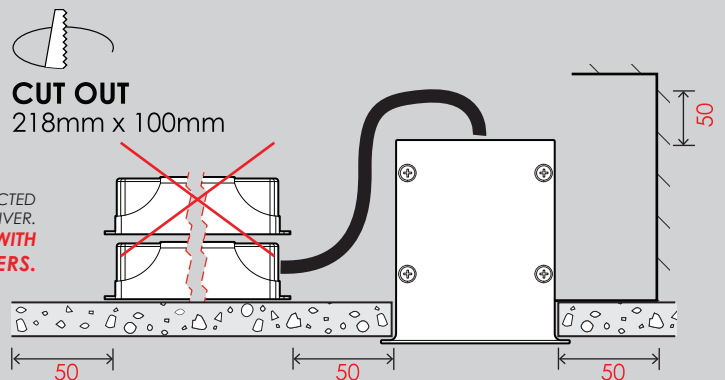
F XI

MINIMUM AREA REQUIREMENT

**DO NOT COVER
W/ INSULATION**



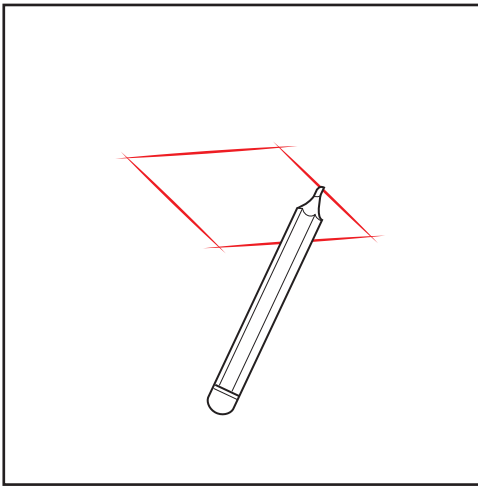
FOR OPTIMAL LONGEVITY, ENSURE UNRESTRICTED AIRFLOW OVER LUMINAIRE & REMOTE DRIVER.
DO NOT COVER LUMINAIRE OR DRIVER WITH INSULATION. DO NOT STACK DRIVERS.



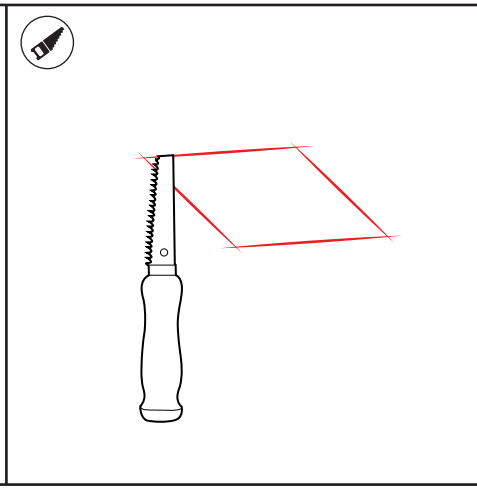
IP22    

27.02.18

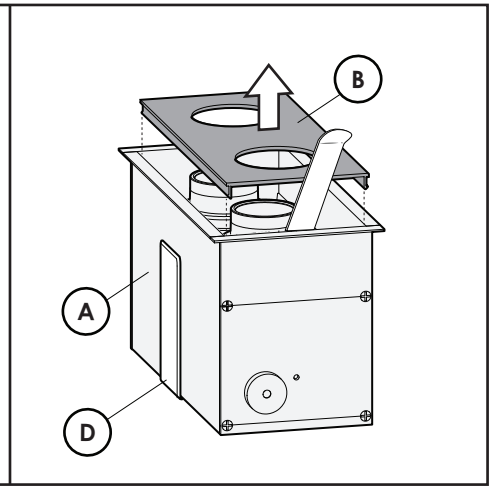
1 OF 2



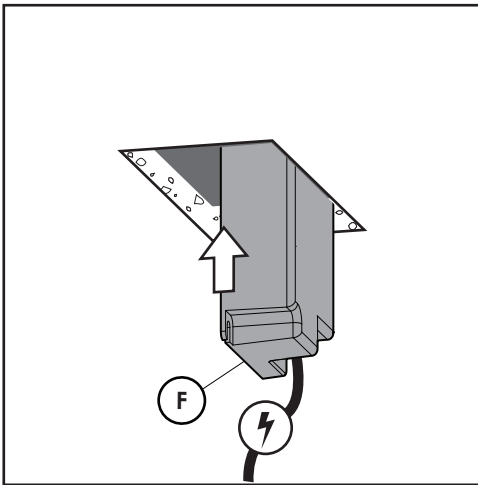
1. With a pencil, mark out the projected hole cut out for the driver.



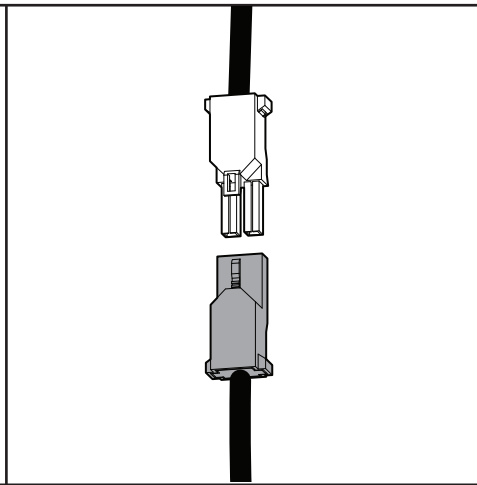
2. Using a wallboard saw, cut out the necessary hole for the driver.



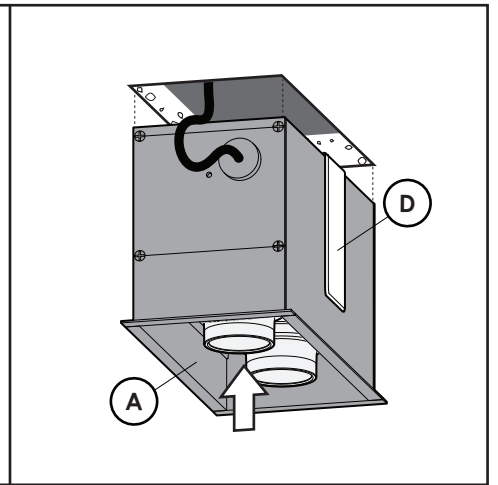
3. Using the lens removal tool, remove the blind cover(B).



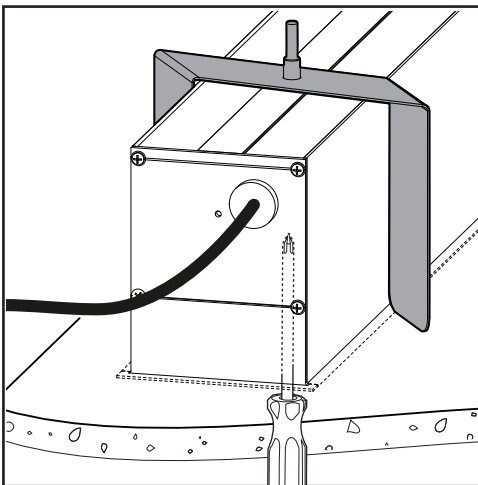
4. Insert driver into cutout.



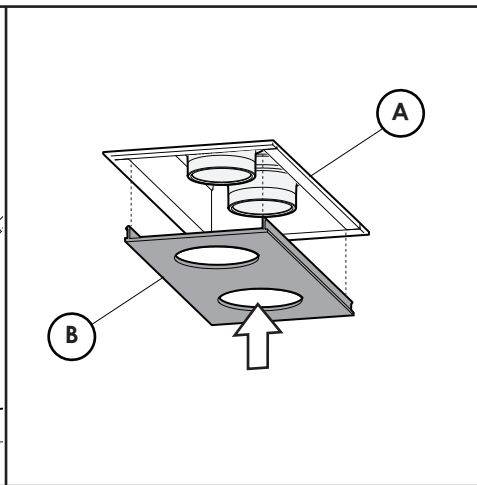
5. Connect appropriate electrical plugs.



6. Insert mainbody(A) into cutout.



7. -With a Screwdriver; rotate the bolt in order to re-orientate the Spring Clip(D) to suspend the light fixture.



8. Attach the blindcover(B) onto mainbody(A).