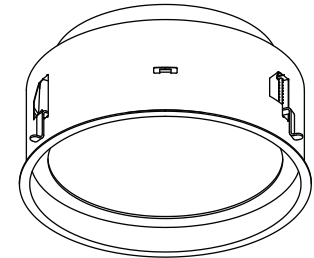


Ensure that products are mounted with supplied, recommended or appropriate screws and fixings to suit the mounting surface.

## WARNING

INSTALLATION IS ONLY TO BE CARRIED OUT BY SUITABLY QUALIFIED PERSONS IN ACCORDANCE WITH INSTALLATION INSTRUCTIONS AND ALL APPLICABLE REGULATIONS OR STANDARDS. (IMPROPER INSTALLATION CAN CREATE AN ELECTRICAL HAZARD WITH RISK OF ELECTRIC SHOCK, FIRE OR INJURY). DARKON WILL NOT BE HELD RESPONSIBLE FOR ANY CONSEQUENCES ARISING FROM IMPROPER PRODUCT HANDLING, STORAGE OR INSTALLATION.

Ø150	120
Ø210	120
Ø310	156
Ø385	156

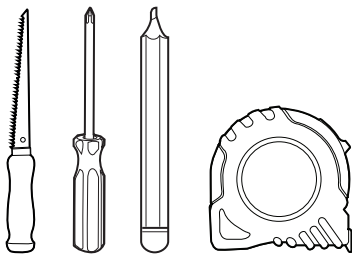


| 30

Ø152	Ø312
Ø212	Ø385

## TOOLS REQUIRED

WALLBOARD SAW / SCREW DRIVER / PENCIL / APPROPRIATE MEASURING INSTRUMENTS



## MAINTENENCE

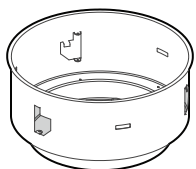


Wipe product with a clean dry microfiber cloth.  
Do not use any cleaning products/ chemicals to clean product.

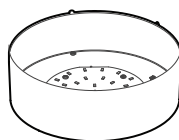
## SERVICING

-This is a non-servicable fitting. Integral powersupply can be replaced if deemed faulty.

## COMPONENTS



**A**



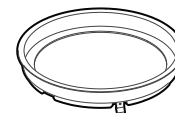
**B1**

Ø310  
Ø385

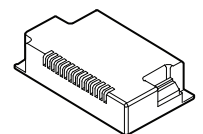


**B2**

Ø160  
Ø210



**C**



**D**

### DISTANCE

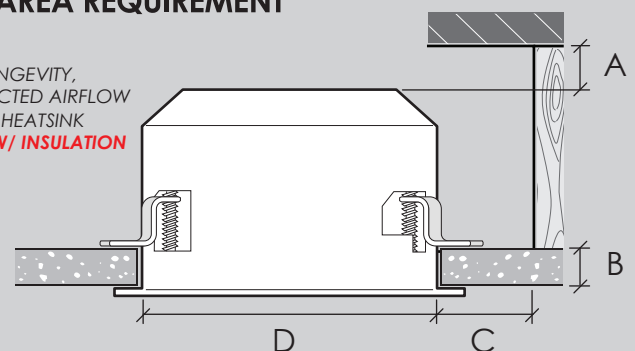
### DESCRIPTION

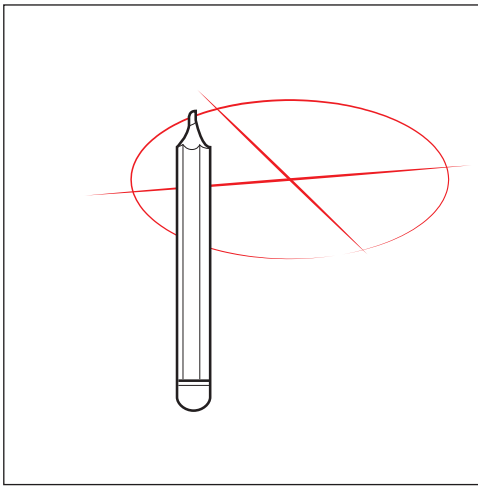
<b>A)</b>	50MM (MINIMUM)	CLEARANCE FOR TOP OF LUMINAIRE
<b>B)</b>	45MM (MAX)	MAXIMUM WALLBOARD THICKNESS
<b>C)</b>	50MM (MINIMUM)	CLEARANCE FOR DRIVER

<b>D)</b>	DEEP C SIZE CUTOUT	Ø150	Ø210	Ø310	Ø385
		Ø141	Ø202	Ø302	Ø374

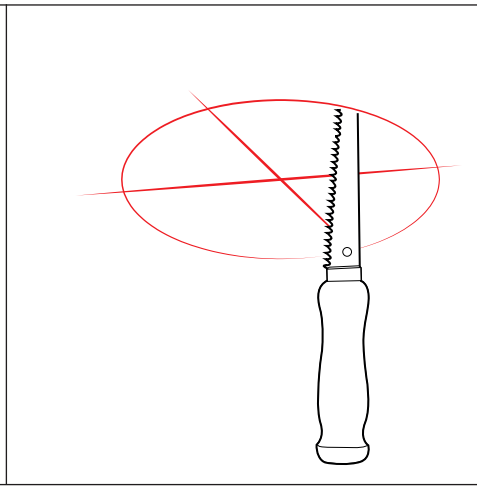
### MINIMUM AREA REQUIREMENT

FIGURE 1.  
FOR OPTIMAL LONGEVITY,  
ENSURE UNRESTRICTED AIRFLOW  
OVER LUMINAIRE HEATSINK  
**DO NOT COVER W/ INSULATION**

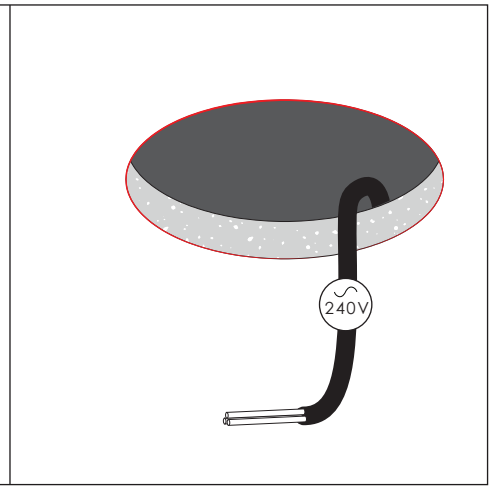




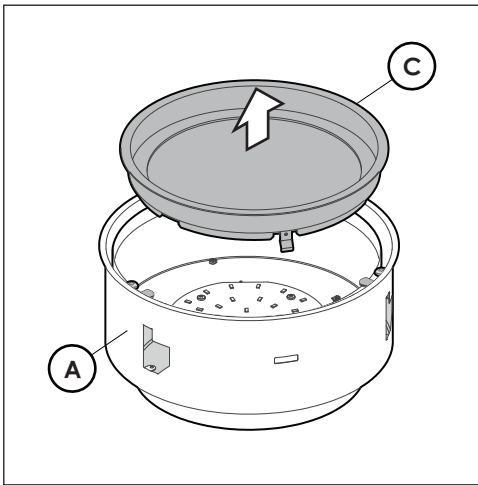
**1.**  
-Measure and mark the appropriate placement of luminaire. Refer to figure A for mounting hole locations.



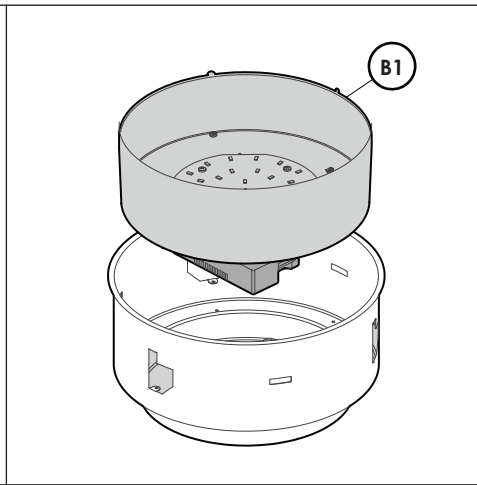
**2.**  
-Using a holesaw, cut out the necessary hole for the luminaire.



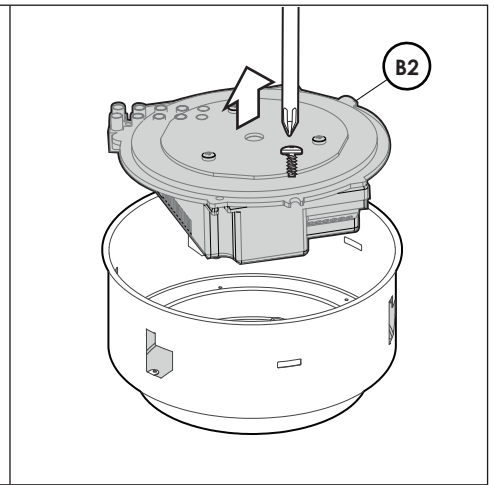
**3.**  
-Pull powercable(240V) through cutout.



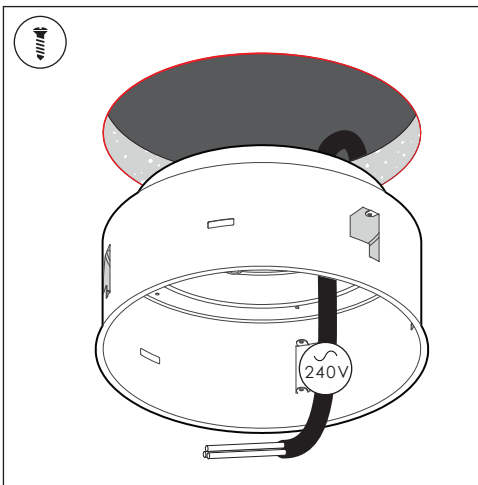
**4.**  
-Unassemble fitting by removing diffuser(C)



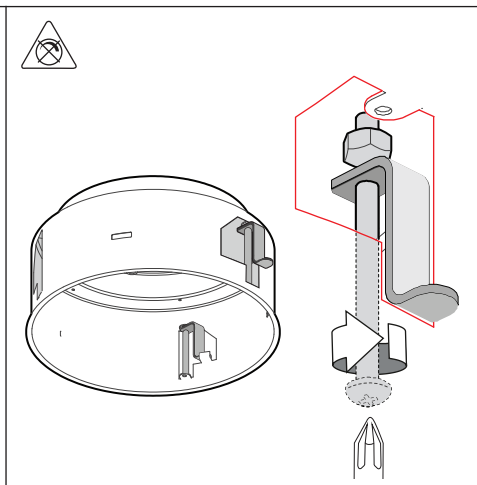
**5A. IF Ø385 OR Ø310**  
-Remove Gear tray(B1) by unfastening screws. Retain screws.



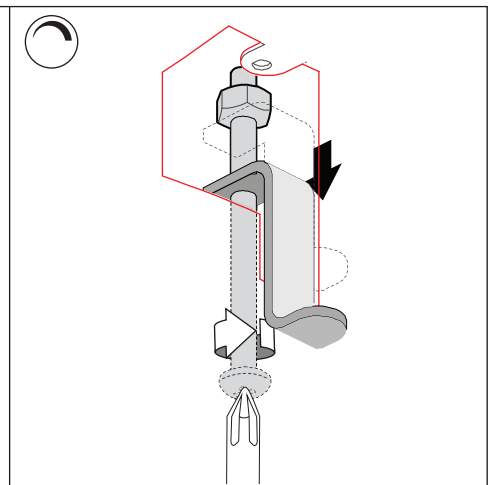
**5B. IF Ø160 OR Ø210**  
-Remove Gear tray(B2) by unfastening screws. Retain screws.



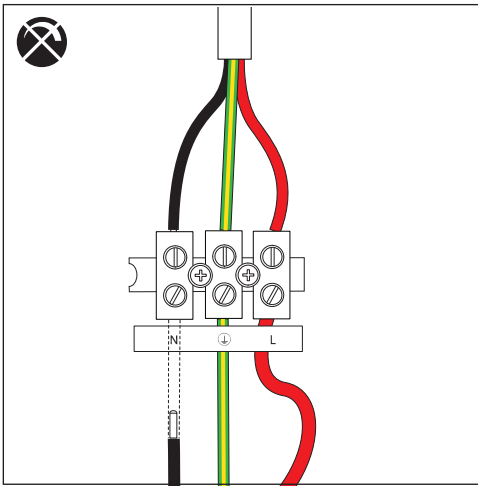
**6.**  
-Thread Powerfeed(240V) through mainbody(A).



**7.**  
-Install recessbody(A) by rotating each bracket.

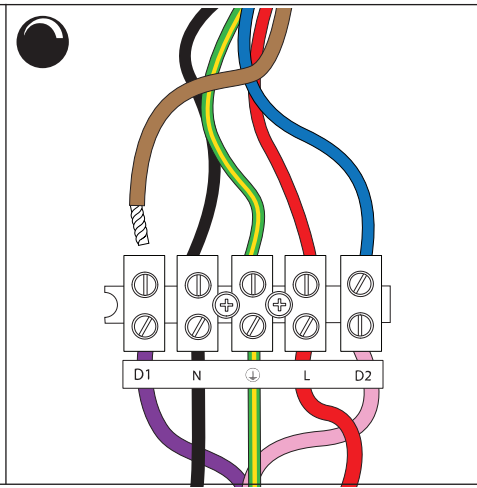


**8.**  
-Ensure each bracket is facing outwards and appropriately fixing luminaire.



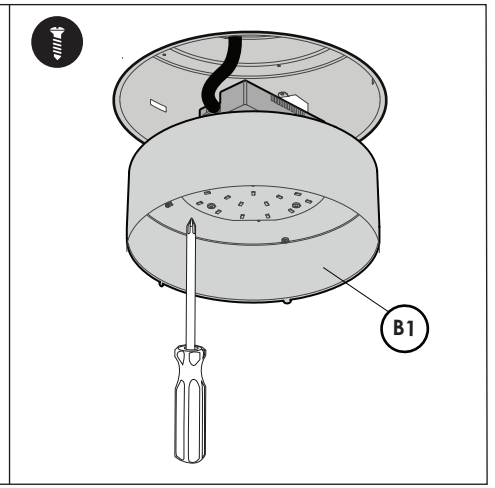
**9A. IF NON DIM**

-Wire primary wires into terminal.



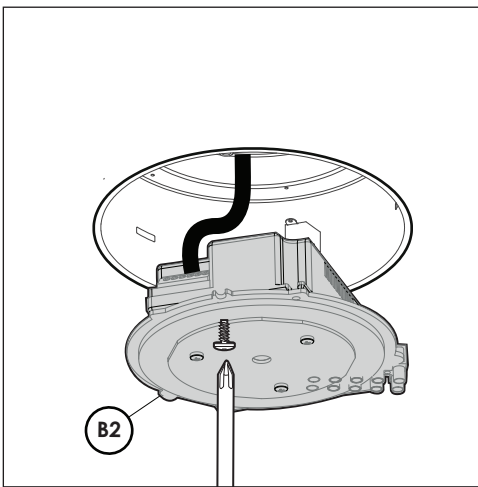
**9B. IF DIM**

-Wire primary wires into terminal.  
-Wire dimming wires into terminal.



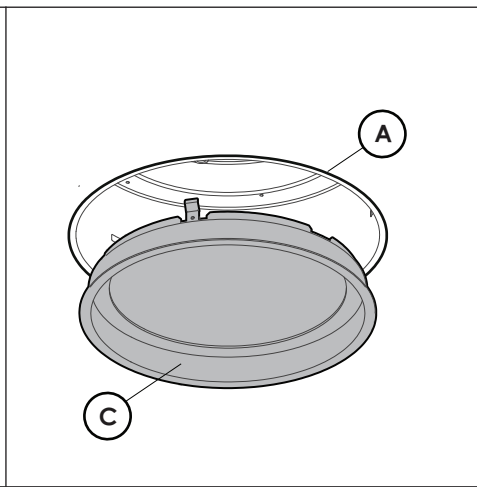
**10A. IF Ø385 OR Ø310**

-Insert Gear Tray(B1) onto mainbody(A) w/  
retained fasteners.



**10B. IF Ø160 OR Ø210**

-Insert Gear Tray(B2) onto mainbody(A) w/  
retained fasteners.



**II.**

-Clip diffuser(C) back into the  
mainbody(A)