

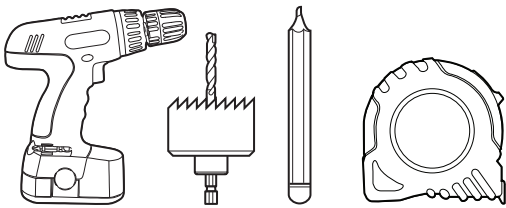
Ensure that products are mounted with supplied, recommended or appropriate screws and fixings to suit the mounting surface.

WARNING

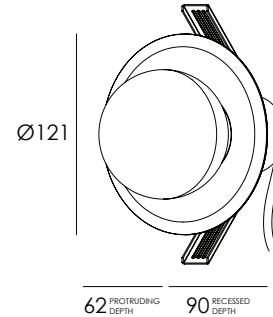
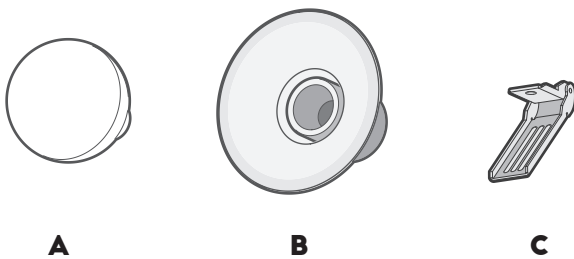
INSTALLATION IS ONLY TO BE CARRIED OUT BY SUITABLY QUALIFIED PERSONS IN ACCORDANCE WITH INSTALLATION INSTRUCTIONS AND ALL APPLICABLE REGULATIONS OR STANDARDS. (IMPROPER INSTALLATION CAN CREATE AN ELECTRICAL HAZARD WITH RISK OF ELECTRIC SHOCK, FIRE OR INJURY). DARKON WILL NOT BE HELD RESPONSIBLE FOR ANY CONSEQUENCES ARISING FROM IMPROPER PRODUCT HANDLING, STORAGE OR INSTALLATION.

TOOLS REQUIRED

WALLBOARD SAW / SCREW DRIVER / PENCIL / APPROPRIATE MEASURING INSTRUMENTS



COMPONENTS



MAINTENANCE



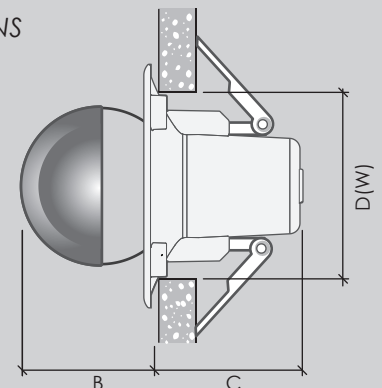
Wipe product with a clean dry microfiber cloth.
Do not use any cleaning products/ chemicals to clean product.

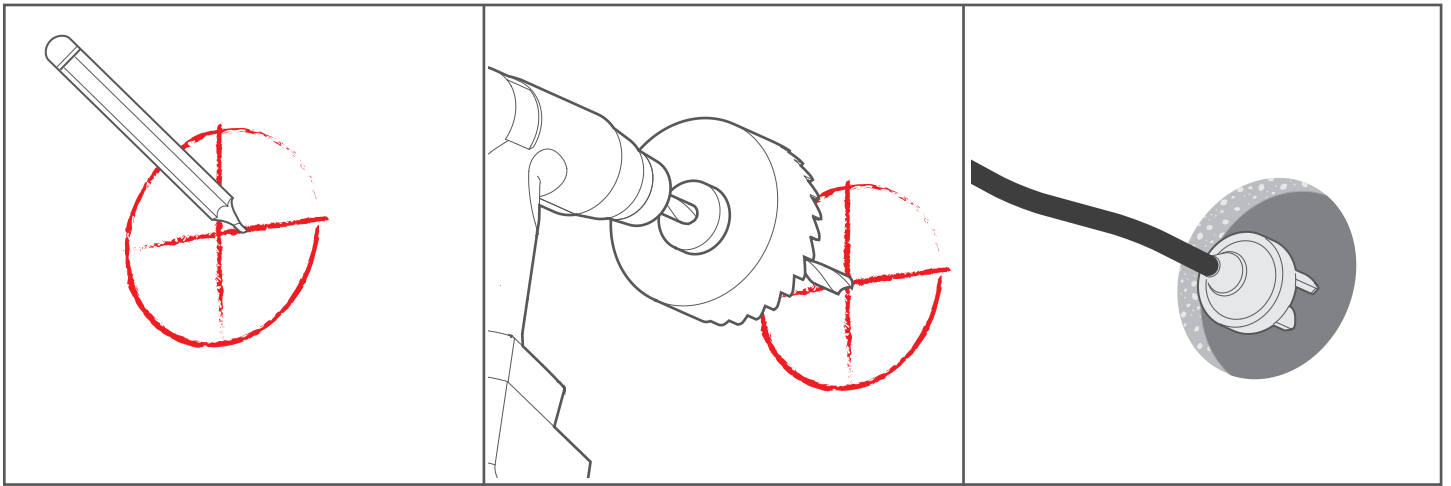
DISTANCE

DESCRIPTION

FIGURE 1. CRITICAL DIMENSIONS

A)	111MM	CUTOUT / HOLE SAW SIZE
B)	62MM	PERTRUDING DEPTH
C)	90MM	RECESSED DEPTH

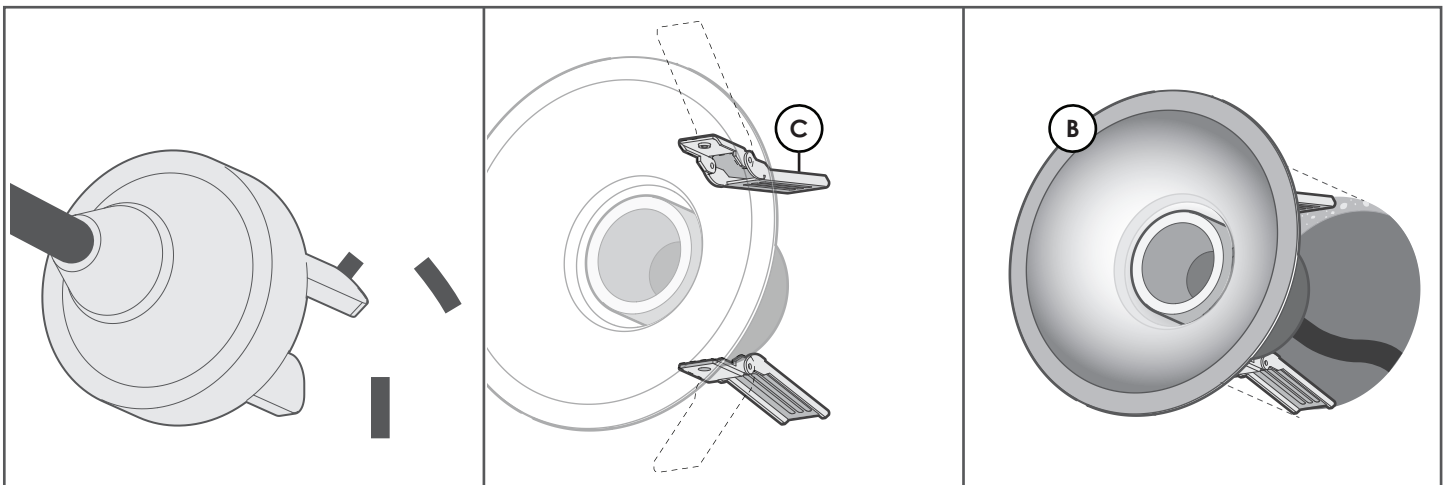




1.
Measure and mark the appropriate cut out for luminaire.

2.
Make the cut-out using an appropriate sized hole-saw.

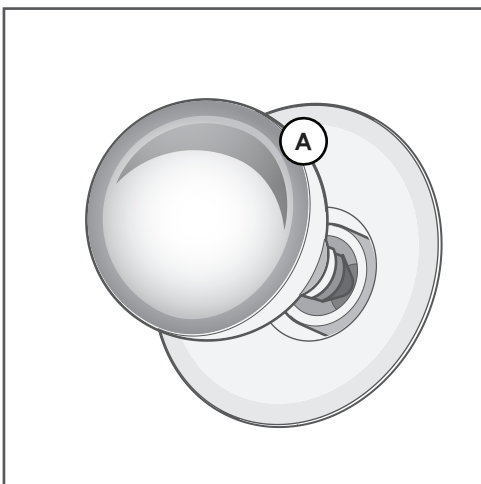
3.
Feed plug through cutout



4.
Connect flex & plug to power supply.

5.
Pullback spring clips(C)

6.
Insert mounting plate(B) into cutout with spring clips pulled back.



7.
Thread Lamp(A) into socket.