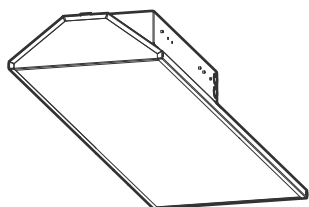


Ensure that products are mounted with supplied, recommended or appropriate screws and fixings to suit the mounting surface.

WARNING

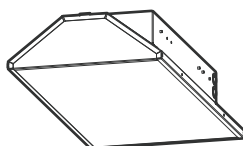
INSTALLATION IS ONLY TO BE CARRIED OUT BY SUITABLY QUALIFIED PERSONS IN ACCORDANCE WITH INSTALLATION INSTRUCTIONS AND ALL APPLICABLE REGULATIONS OR STANDARDS. (IMPROPER INSTALLATION CAN CREATE AN ELECTRICAL HAZARD WITH RISK OF ELECTRIC SHOCK, FIRE OR INJURY). DARKON WILL NOT BE HELD RESPONSIBLE FOR ANY CONSEQUENCES ARISING FROM IMPROPER PRODUCT HANDLING, STORAGE OR INSTALLATION.

COMPONENTS

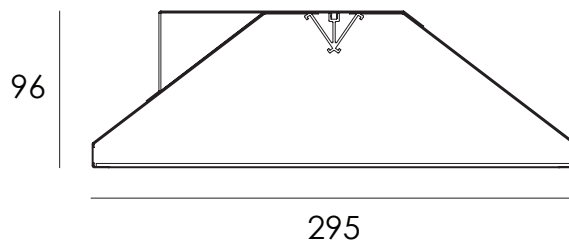


A
1200 X 300

OR



B
600 X 300



MAINTENANCE



Wipe product with a clean dry microfiber cloth. Do not use any cleaning products/ chemicals to clean product.

SERVICING

This is a non servicable fitting. 'Light Tray' can be replaced if deemed faulty.

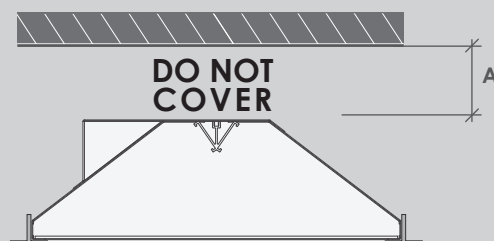
NOTE:

GUIDE APPLICABLE FOR BAYKON 1200 X 300 T BAR(A), 600 X 300 T BAR(B).

FOR OPTIMAL LONGEVITY, ENSURE UNRESTRICTED AIRFLOW



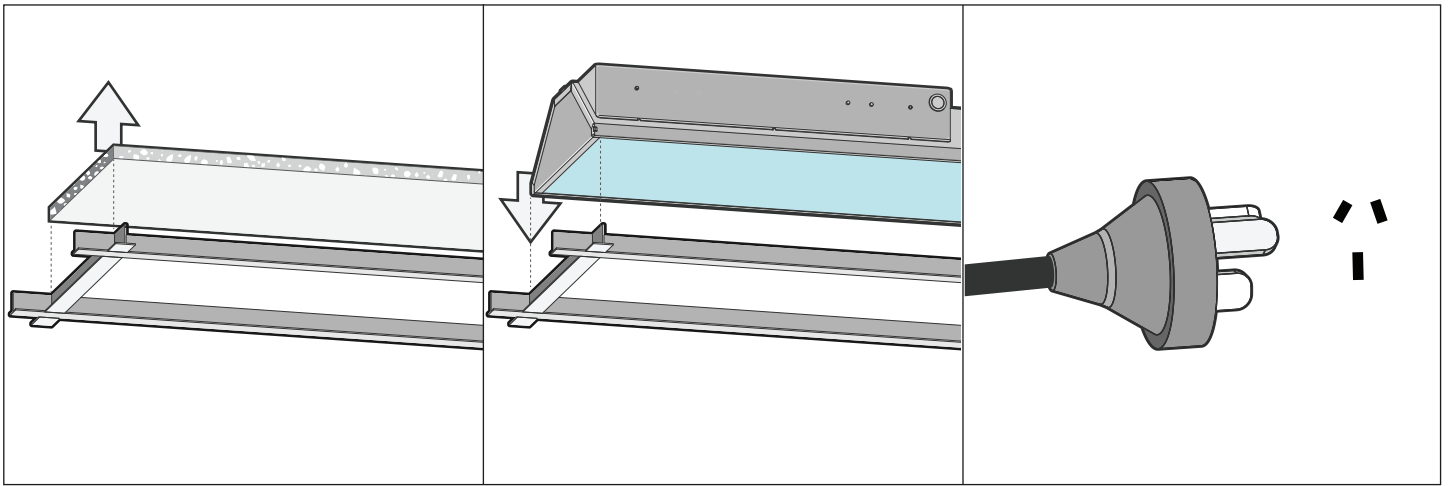
MINIMUM AREA REQUIREMENT FIGURE 1.



DISTANCE

DESCRIPTION

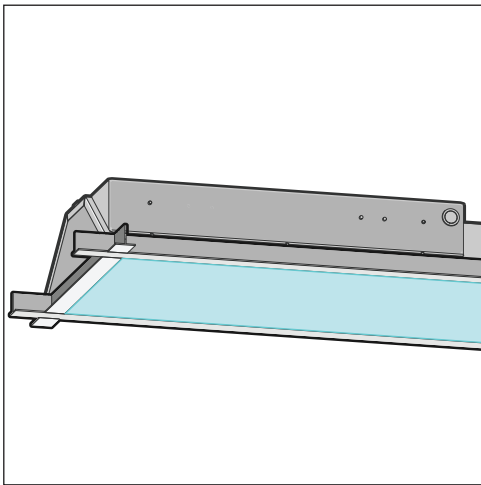
A) 50MM (MINIMUM) CLEARANCE FOR TOP OF LUMINAIRE



1.
Remove ceiling tile from T Bar if necessary

2.
Mount fixture(A or B) onto T Bar.

3.
Connect flex & plug to power supply.
Connect DALI lines to control circuit (IF
DALI)



4.
Installation complete.