

BARREL

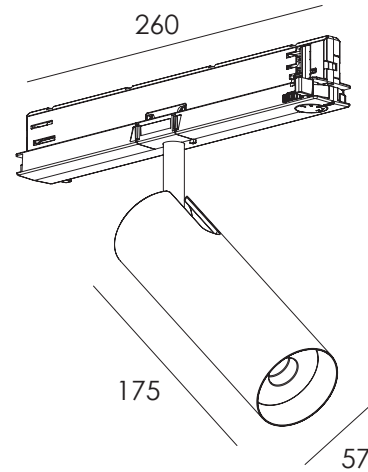
TRACK MOUNTED LUMINAIRE

DARKON™
THE EDGE OF LIGHT

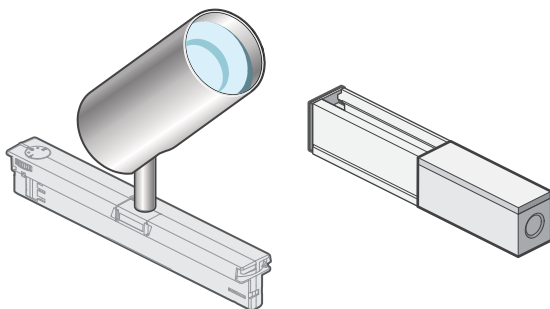
Ensure that products are mounted with supplied, recommended or appropriate screws and fixings to suit the mounting surface.

WARNING

INSTALLATION IS ONLY TO BE CARRIED OUT BY SUITABLY QUALIFIED PERSONS IN ACCORDANCE WITH INSTALLATION INSTRUCTIONS AND ALL APPLICABLE REGULATIONS OR STANDARDS. (IMPROPER INSTALLATION CAN CREATE AN ELECTRICAL HAZARD WITH RISK OF ELECTRIC SHOCK, FIRE OR INJURY). DARKON WILL NOT BE HELD RESPONSIBLE FOR ANY CONSEQUENCES ARISING FROM IMPROPER PRODUCT HANDLING, STORAGE OR INSTALLATION.



COMPONENTS



A

B

TRACK

MAINTENANCE



Wipe product with a clean dry microfiber cloth.
Do not use any cleaning products/ chemicals to clean product.

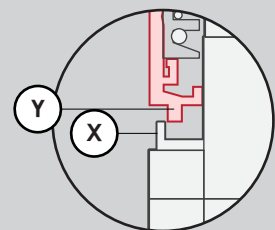
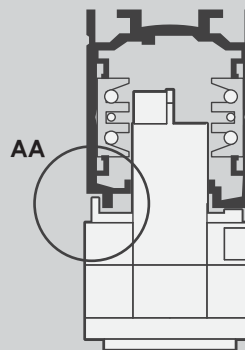
SERVICING

This is a non-servicable fitting.

NOTES

FIGURE 1. CRITICAL ORIENTATION

!!!INSERT THE ADAPTER INTO THE TRACK SO THAT THE MECHANICAL KEY (X) MATCHES THE GROOVE (Y) IN TRACK!!!



DETAIL AA. VIEW OF KEY MATCHING GROOVE OF TRACK

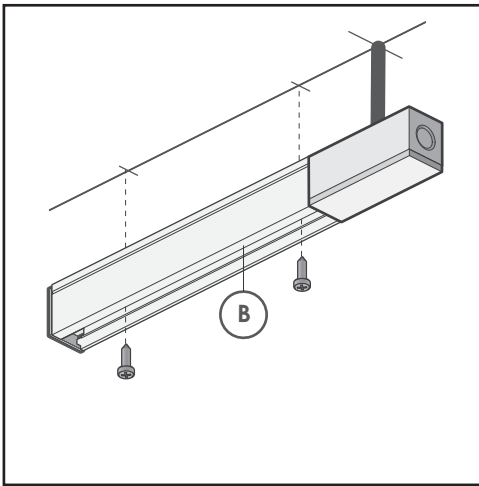
IP22   

23.06.22

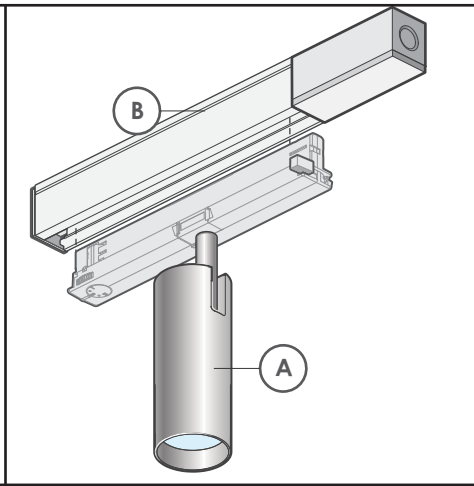
www.darkon.com.au

1/2

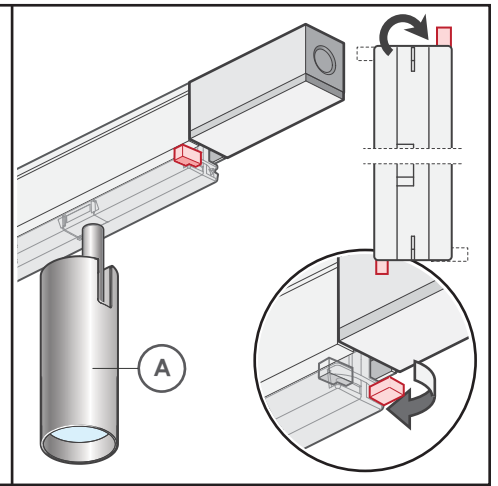
REVISION 01



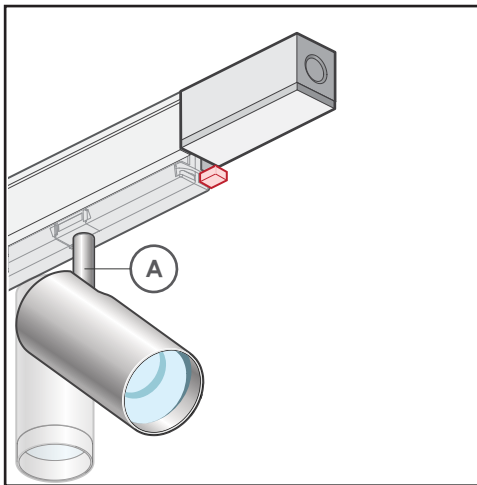
1. Follow steps featured in *Track SM installation* guide to install necessary *Track(B)*.



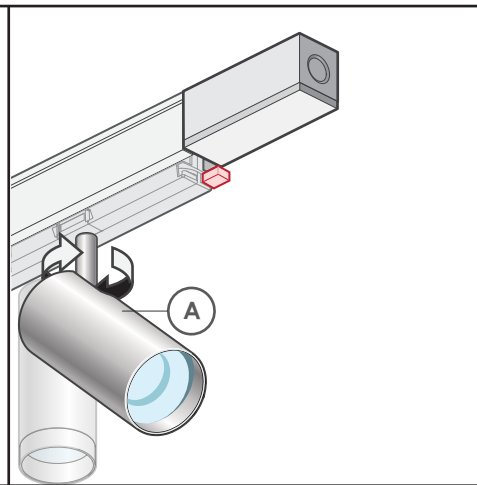
2. Insert *Barrel(A)* into track. Refer to notes for critical orientation.



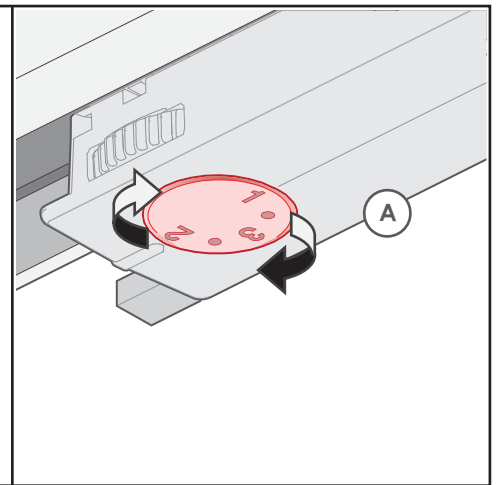
3. Rotate *Levers of the Track Adapter(A)* 90° in order to lock adapter into position.



4. ADJUSTMENT
Adjust *Barrel(A)* by pivoting body.



5. ADJUSTMENT
Adjust *Barrel(A)* by rotating body.



6. IF CIRCUIT SELECTION
If track is connected to a three-circuit system, select circuit (*L1, L2 or L3*) by rotating selector in driver of *Barrel(A)*.