

# BARREL

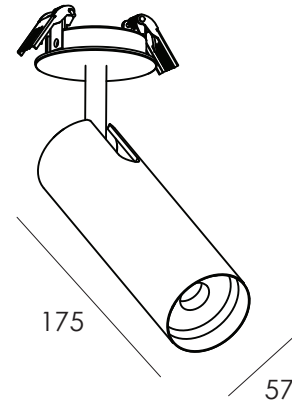
SURFACE MOUNTED LUMINAIRE

**DARKON™**  
THE EDGE OF LIGHT

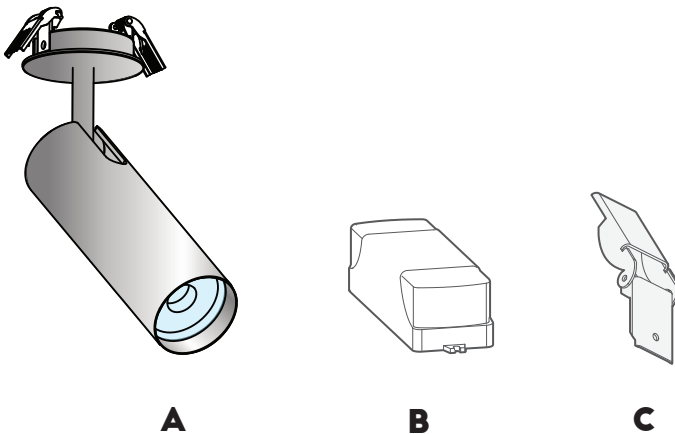
Ensure that products are mounted with supplied, recommended or appropriate screws and fixings to suit the mounting surface.

## WARNING

INSTALLATION IS ONLY TO BE CARRIED OUT BY SUITABLY QUALIFIED PERSONS IN ACCORDANCE WITH INSTALLATION INSTRUCTIONS AND ALL APPLICABLE REGULATIONS OR STANDARDS. (IMPROPER INSTALLATION CAN CREATE AN ELECTRICAL HAZARD WITH RISK OF ELECTRIC SHOCK, FIRE OR INJURY). DARKON WILL NOT BE HELD RESPONSIBLE FOR ANY CONSEQUENCES ARISING FROM IMPROPER PRODUCT HANDLING, STORAGE OR INSTALLATION.



## COMPONENTS



## MAINTENANCE



Wipe product with a clean dry microfiber cloth.  
Do not use any cleaning products/ chemicals to clean product.

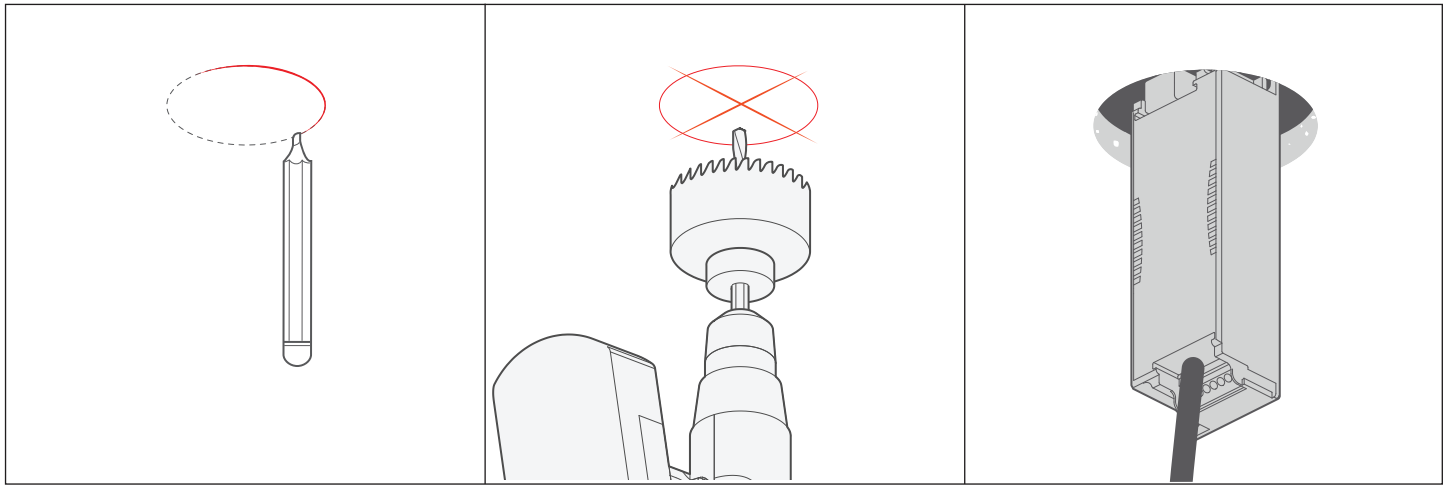
## SERVICING

This is a non-servicable fitting.

DISTANCE	DESCRIPTION	CRITICAL DIMENSIONS
A) $\varnothing 70\text{mm}$	CUTOUT	FIGURE 1. <p>FOR OPTIMAL LONGEVITY, ENSURE UNRESTRICTED AIRFLOW OVER LUMINAIRE &amp; REMOTE DRIVER. <b>DO NOT COVER LUMINAIRE OR DRIVER WITH INSULATION. DO NOT STACK DRIVERS.</b></p>
B) 35mm	CLEARANCE FOR TOP OF LUMINAIRE	
C) 43mm	CLEARANCE FOR DRIVER	
D) 30mm	SPRING CLIP CLEARANCE	
E) 100mm	CLEARANCE OF LUMINAIRE	

**IP22** COB LED

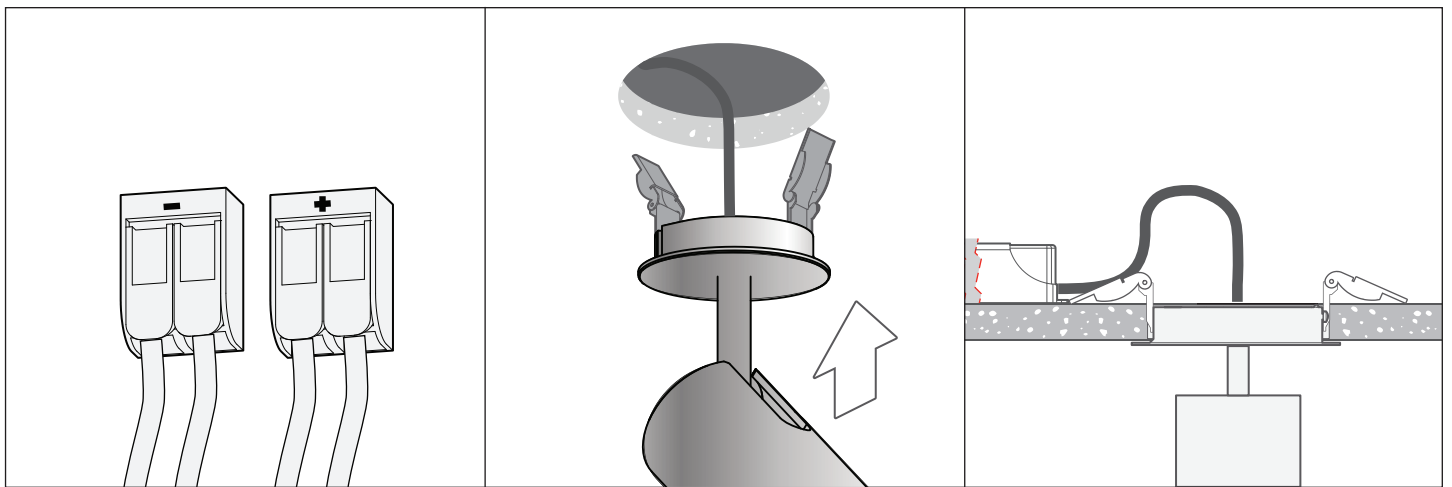
23.08.23



**1.** Measure and mark the appropriate placement of luminaire. Refer to figure A for critical dimensions.

**2.** Using a hole-saw, cut out the necessary hole for the luminaire.

**3.** Insert driver into cutout.



**4.** Connect appropriate plugs.

**5.** Pullback spring clips and insert light into the cut out.

**6.** Ensure spring clips are installed correctly.