

SUPER MINI EDGE REC_{MK2}

RECESSED PROFILE

DARKON™
THE EDGE OF LIGHT

Ensure that products are mounted with supplied, recommended or appropriate screws and fixings to suit the mounting surface.

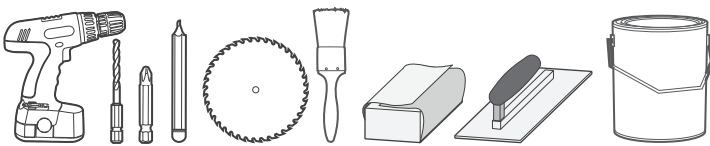
WARNING

INSTALLATION IS ONLY TO BE CARRIED OUT BY SUITABLY QUALIFIED PERSONS IN ACCORDANCE WITH INSTALLATION INSTRUCTIONS AND ALL APPLICABLE REGULATIONS OR STANDARDS. (IMPROPER INSTALLATION CAN CREATE AN ELECTRICAL HAZARD WITH RISK OF ELECTRIC SHOCK, FIRE OR INJURY). DARKON WILL NOT BE HELD RESPONSIBLE FOR ANY CONSEQUENCES ARISING FROM IMPROPER PRODUCT HANDLING, STORAGE OR INSTALLATION.

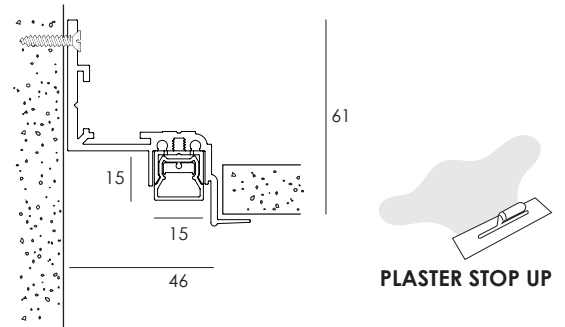
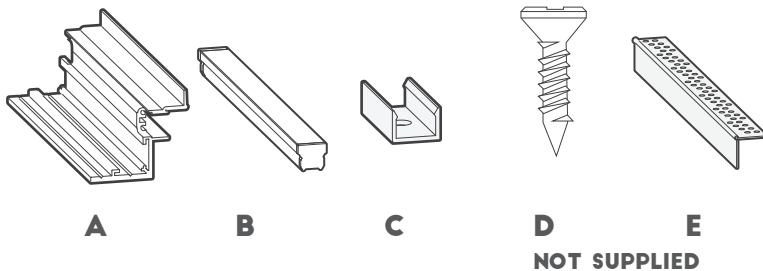
TOOLS REQUIRED

FOR INSTALL: POWER DRILL / DRILL BIT / PHILLIPS DRIVER / PENCIL / METAL CUTTING BLADE + POWER SAW

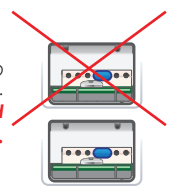
FOR FINISH: PAINT BRUSH / SANDING BLOCK + APPROPRIATE SAND PAPER / TROWEL / PAINT



COMPONENTS



FOR OPTIMAL LONGEVITY, ENSURE UNRESTRICTED AIRFLOW OVER LUMINAIRE & REMOTE DRIVER. **DO NOT COVER LUMINAIRE OR DRIVER WITH INSULATION. DO NOT STACK DRIVERS.**



MAINTENANCE



Wipe product with a clean dry microfiber cloth. Do not use any cleaning products/ chemicals to clean product.

SERVICING

Remote powersupply can be replaced if deemed faulty.

NOTE:

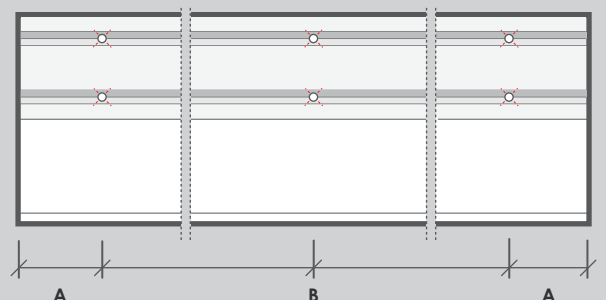
- PROFILE IS COMPATIBLE WITH RONDO P26 OR KNAUF APSA 1330 STOPPING EDGE
- MAINBODY(A) FITTINGS ARE SUPPLIED IN 1M, 2M OR 3M STICKS WITH POWERFEED DETAILS ON EACH END.
- ROOM MEASUREMENTS GREATER THAN 3.1 METERS WILL REQUIRE MULTIPLE LUMINAIRES (SEE COMPONENT B) TO MEET REQUIRED LENGTHS.

DISTANCE	DESCRIPTION
A)	STUD SPACING MOUNTING LOCATION
B)	PROFILE LENGTH IF GREATER THAN 2.2M THIRD MOUNTING POINT IS REQUIRED

FOR OPTIMAL LONGEVITY, ENSURE UNRESTRICTED AIRFLOW OVER LUMINAIRE & REMOTE DRIVER. **DO NOT COVER LUMINAIRE OR DRIVER WITH INSULATION. DO NOT STACK DRIVERS.**

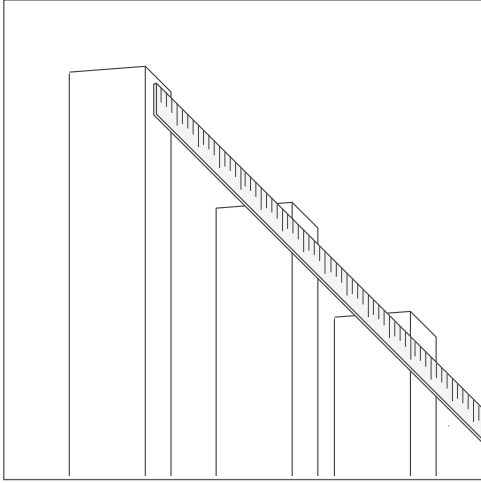
MOUNTING DIMENSIONS

FIGURE 1 (ELEVATION VIEW).



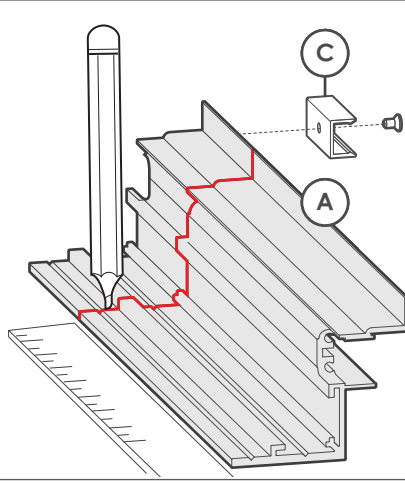
27.08.20

PHASE ONE



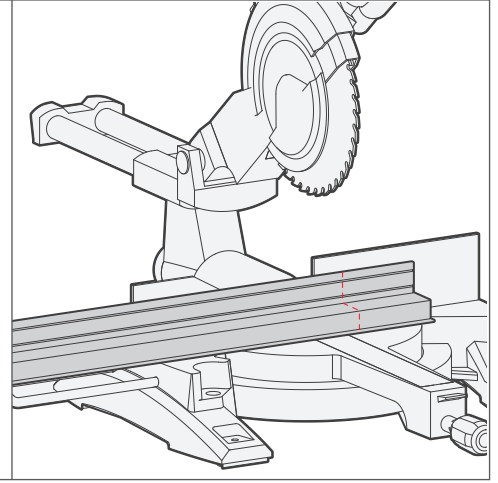
1. IF STRAIGHT FITTING

Measure necessary room dimension.



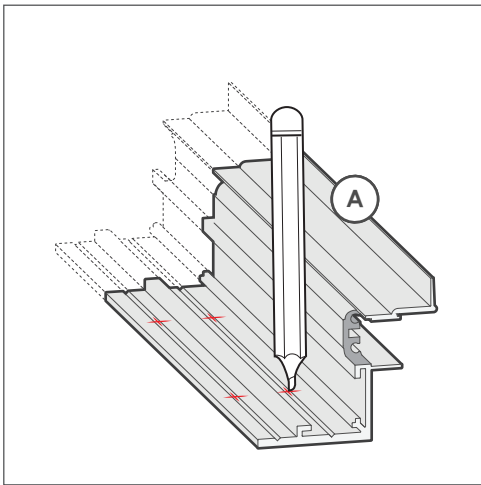
2A. IF STRAIGHT FITTING

Mark mainbody(A) at necessary cut off length.
Remove clip if located in docked excess, retain clip.



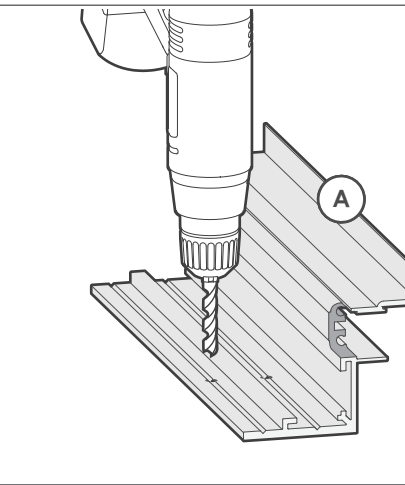
3A IF STRAIGHT FITTING

Using appropriate saw blade, dock mainbody (removing excess length to meet room dimensions).



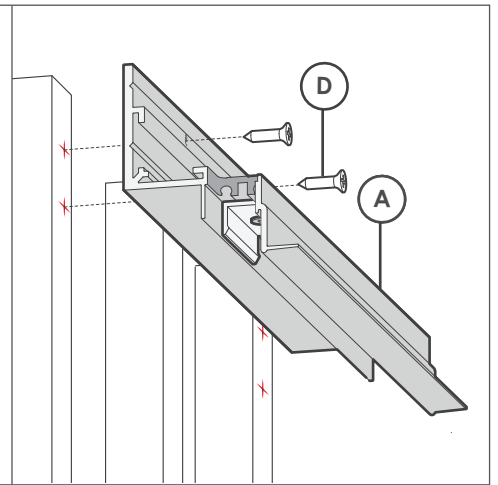
4A. IF STRAIGHT FITTING

Mark hole location; holes should be spaced at stud intervals of 450mm or 600mm depending on wall construction.



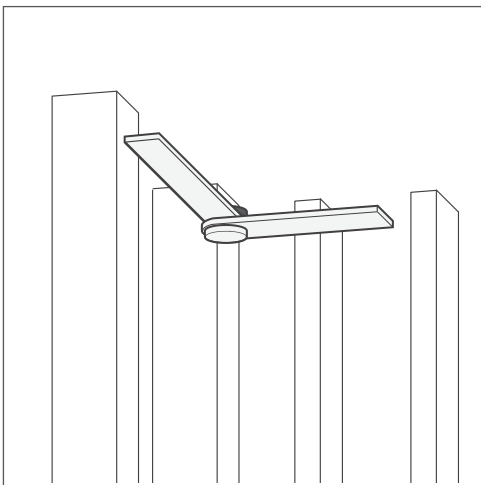
5A. IF STRAIGHT FITTING

With appropriate sized drill bit, drill pilot holes in mainbody(A).



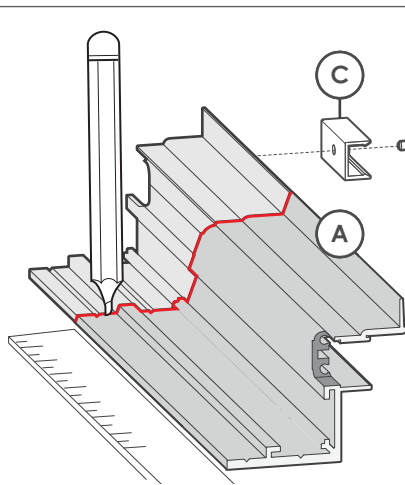
6A. IF STRAIGHT FITTING

With appropriate fixings; install mainbody(A)



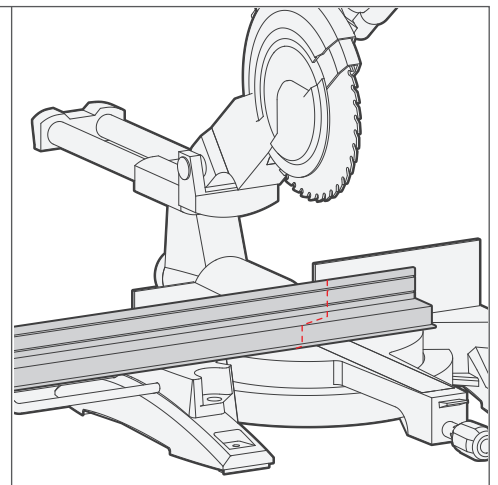
1B. IF MITRED FITTING.

Measure necessary room dimension (inclusive of critical length & angle)



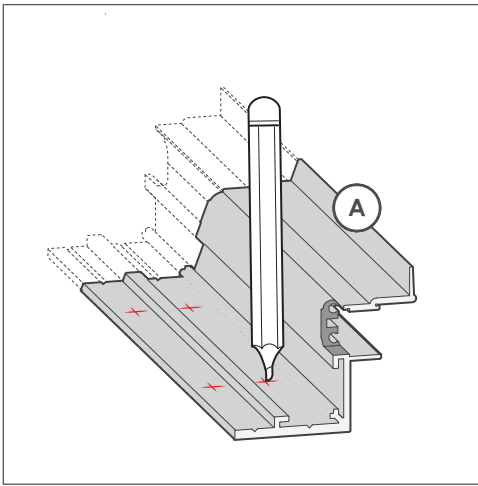
2B. IF MITRED FITTING.

Mark mainbody(A) at necessary cut off length.
Remove clip if located in docked excess, retain clip.

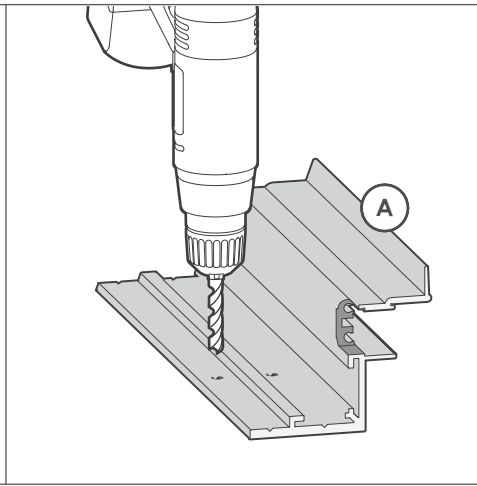


3B. IF MITRED FITTING.

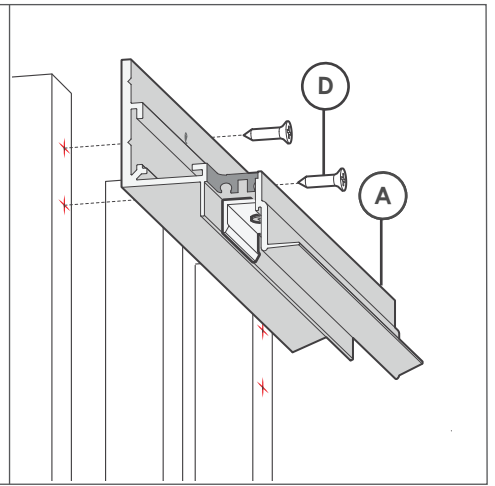
Using appropriate saw blade, dock mainbodies(A) to required length & angle



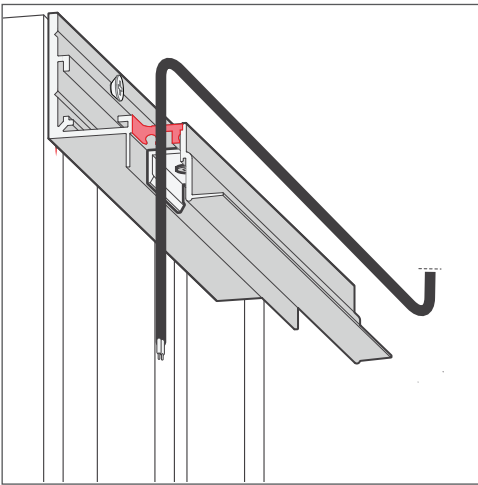
4B. IF MITRED FITTING.
Mark hole location; holes should be spaced at stud intervals of 450mm or 600mm depending on wall construction



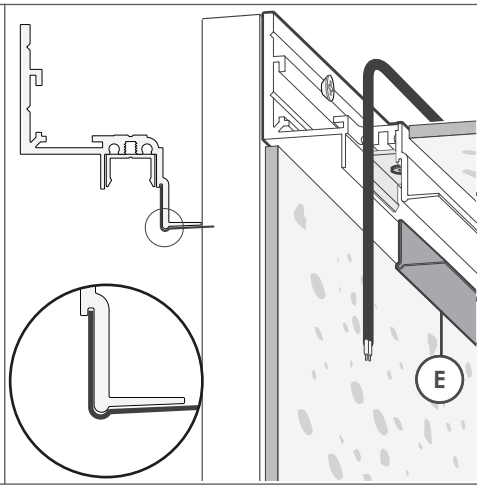
5B. IF MITRED FITTING.
With appropriate sized drill bit, drill pilot holes in mainbody(A)



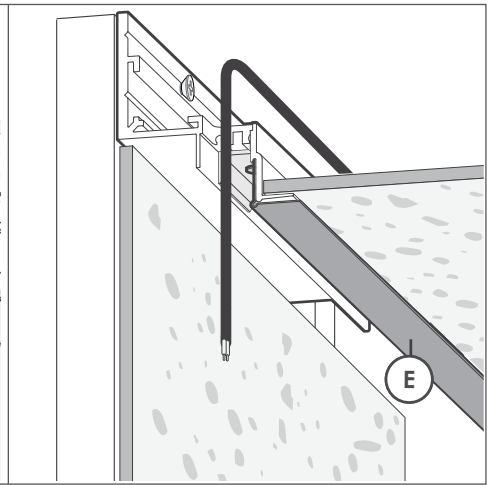
6B. IF MITRED FITTING.
With appropriate fixings; install mainbody(A)



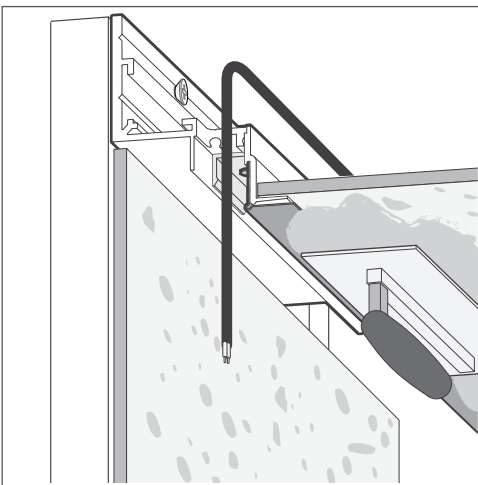
7.
Run wires prior to installing plasterboard. Thread secondary cable and leave hanging through powerfeed cutout



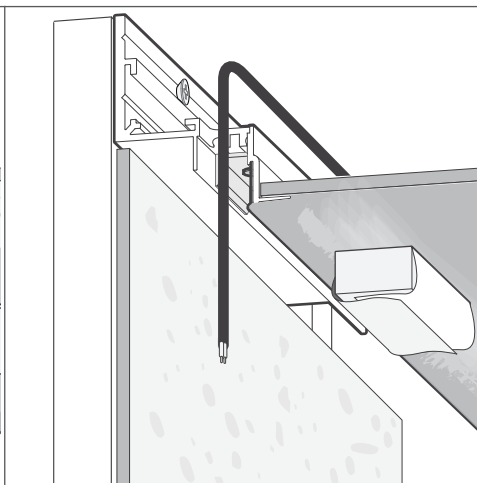
8.
Cut appropriate length angle(E) & insert into detail. See notes (PG 1) for compatibility. Install plasterboard



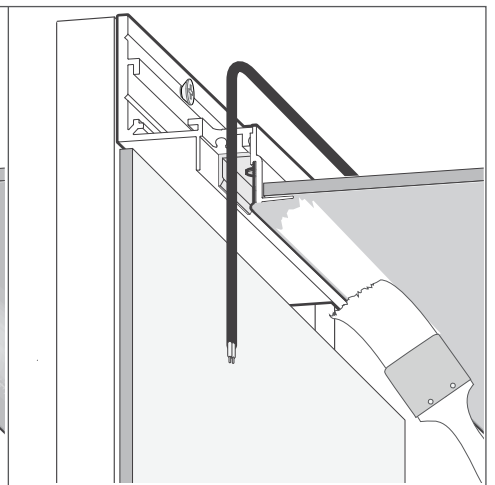
9.
Attach external angle(E) with appropriate fixing.



10.
Apply plaster to external corner.

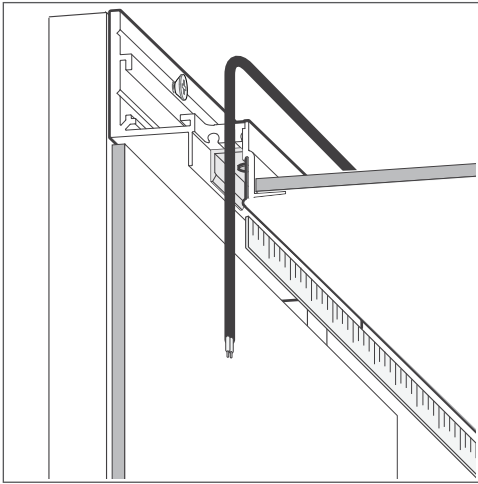


11.
Sand to achieve flush surface.

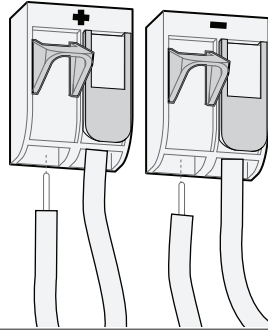


12.
Finish walls & ceiling with paint.

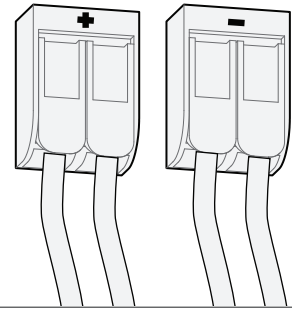
PHASE TWO



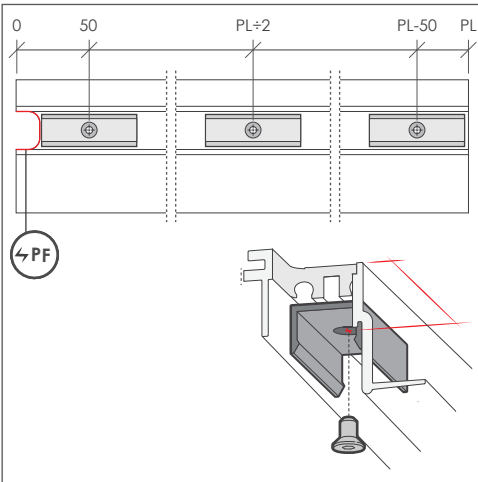
13.
Re-measure finished room dimension and send to Darkon. At this point you will receive 'inserts' to fit **FINAL** lengths.



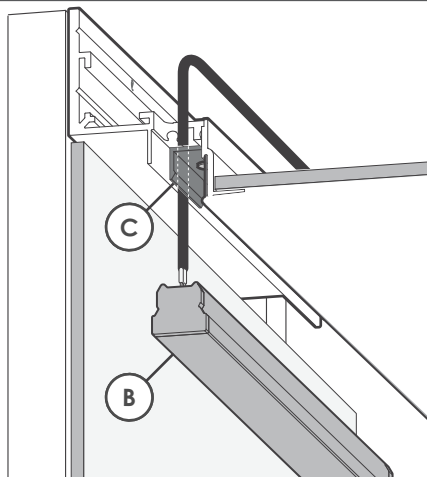
14.
Open Wago terminal block & connect wires.



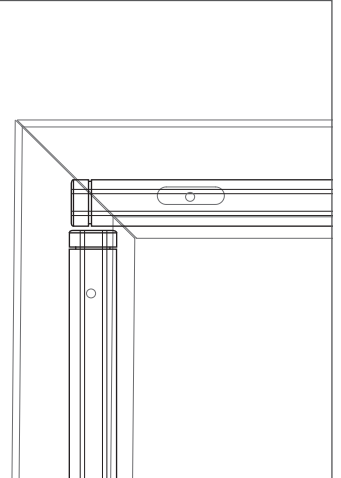
15.
Close Wago terminal block.



16.
Ensure clips(C) are fixed 50mm from the start & end of each mainbody(A) with the remainder spaced evenly along length.
* Approx 3 clips for every meter of mainbody(A)



17.
Snap fit insert(B) to all clips (C)



18. IF MITRED
Repeat steps 13-17 to fit out remaining sides.