

GRAZER/ GRAZER TUBE

SUSPENDED PROFILE

DARKON™
THE EDGE OF LIGHT

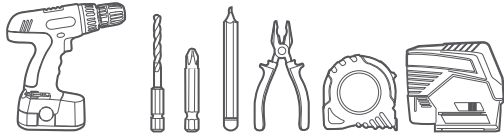
Ensure that products are mounted with supplied, recommended or appropriate screws and fixings to suit the mounting surface.

WARNING

INSTALLATION IS ONLY TO BE CARRIED OUT BY SUITABLY QUALIFIED PERSONS IN ACCORDANCE WITH INSTALLATION INSTRUCTIONS AND ALL APPLICABLE REGULATIONS OR STANDARDS. (IMPROPER INSTALLATION CAN CREATE AN ELECTRICAL HAZARD WITH RISK OF ELECTRIC SHOCK, FIRE OR INJURY). DARKON WILL NOT BE HELD RESPONSIBLE FOR ANY CONSEQUENCES ARISING FROM IMPROPER PRODUCT HANDLING, STORAGE OR INSTALLATION.

TOOLS REQUIRED

POWER DRILL / DRILL BIT / PHILLIPS DRIVER / PENCIL / PLIERS / TAPE MEASURE / PLUM LASER.



MAINTENANCE

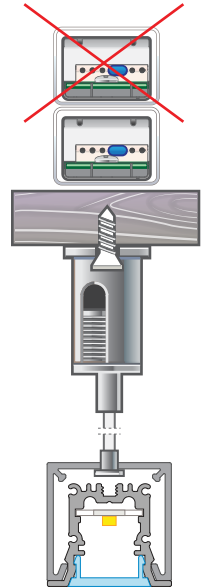
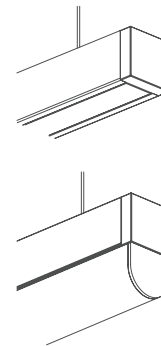
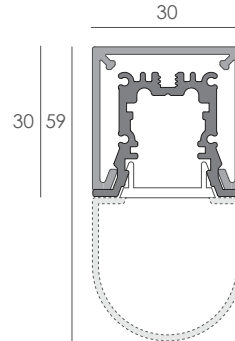
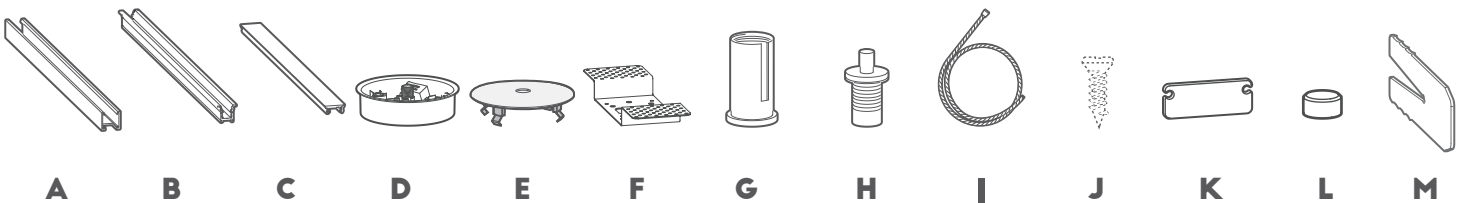
Wipe product with a clean dry microfiber cloth. Do not use any cleaning products / chemicals to clean product.



SERVICING

'Remote Driver' can be replaced if deemed faulty.

COMPONENTS



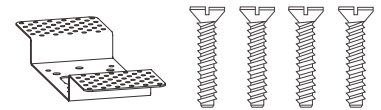
FOR OPTIMAL LONGEVITY, ENSURE UNRESTRICTED AIRFLOW OVER LUMINAIRE & REMOTE DRIVER. **DO NOT COVER LUMINAIRE OR DRIVER WITH INSULATION. DO NOT STACK DRIVERS.**

REC

CUT OUT



Ø100



SUPPLIED IF REC CEILING PLATE

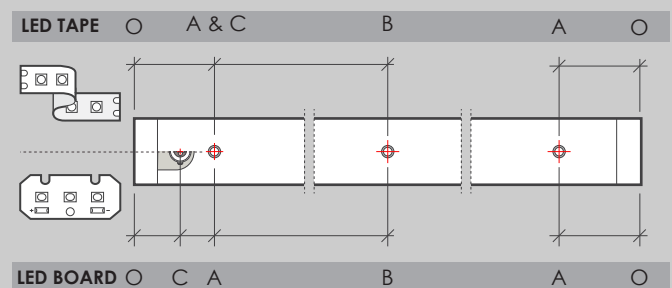
DISTANCE

DESCRIPTION

SUSPENSION DIMENSIONS

FIGURE 1.

| | LED TAPE | LED BOARD | |
|----|-----------------------------------|-----------|---|
| A) | 53MM | 53MM | SUSPENSION LOCATION |
| B) | $\frac{\text{PROFILE LENGTH}}{2}$ | | IF GREATER THAN 2.2M THIRD SUSPENSION POINT IS REQUIRED |
| C) | 53MM | 15MM | POWERFEED LOCATION |



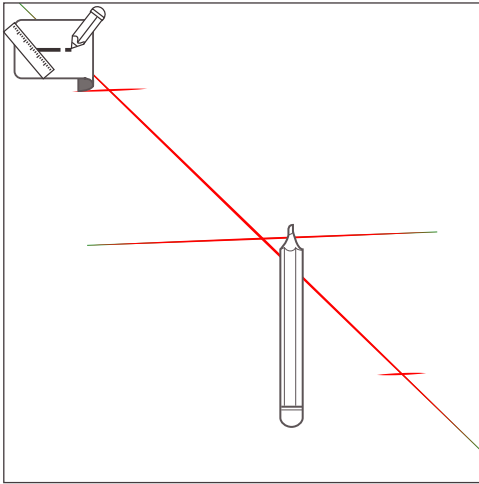
07.03.22

www.darkon.com.au

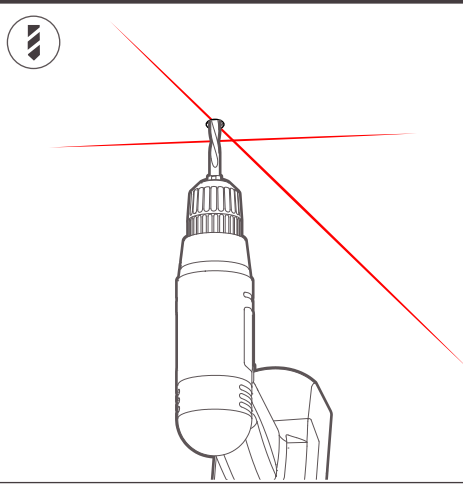
1/5

REVISION 02

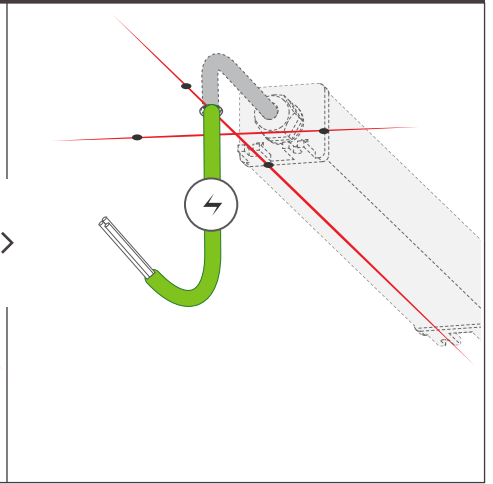
IF SURFACE MOUNTED CEILING PLATE



1.
Project line using laser plumb and mark necessary mounting points using supplied Darkon drawing as reference.

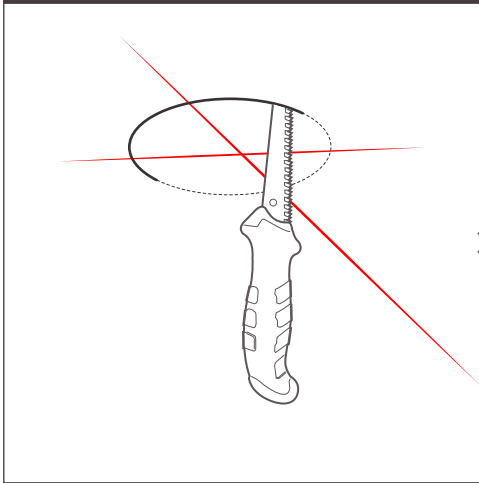


2. IF SM CEILING PLATE
Drill hole for power feed, drill pilot holes if necessary.

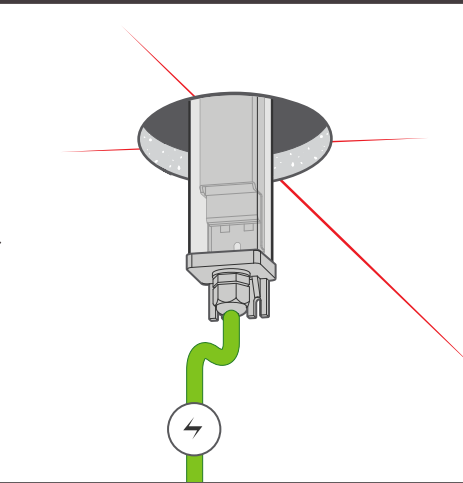


3. IF SM CEILING PLATE
Pull secondary cable through ceiling.

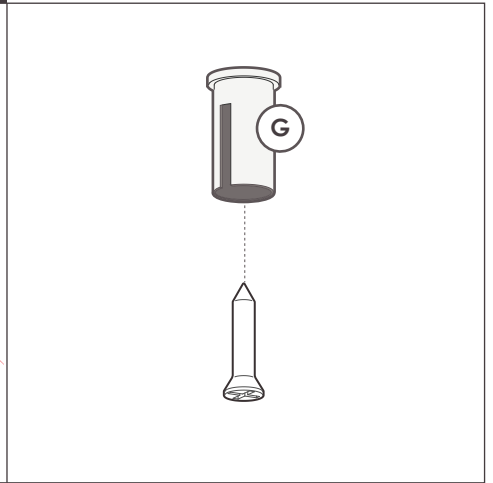
IF RECESSED CEILING PLATE



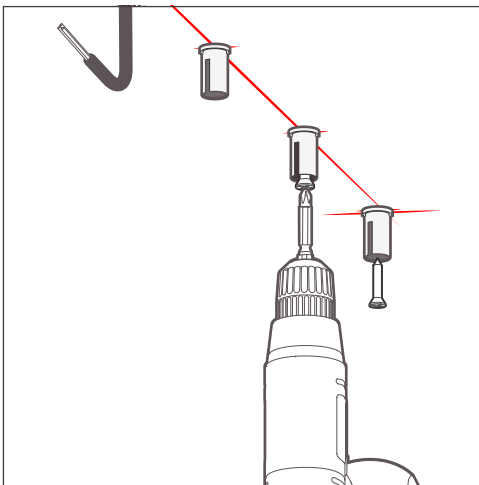
2. IF REC CEILING PLATE
Make cutout using appropriate wallboard saw.



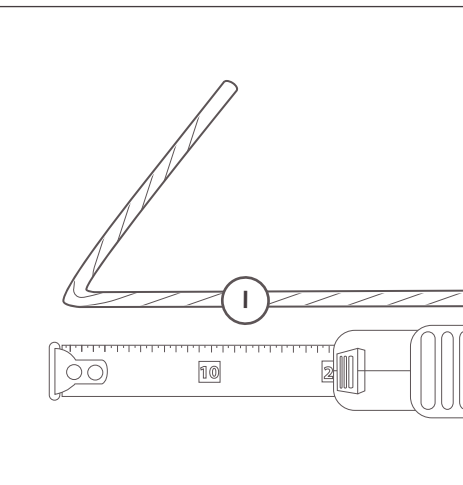
3. IF REC CEILING PLATE
Insert remote driver into cutout.



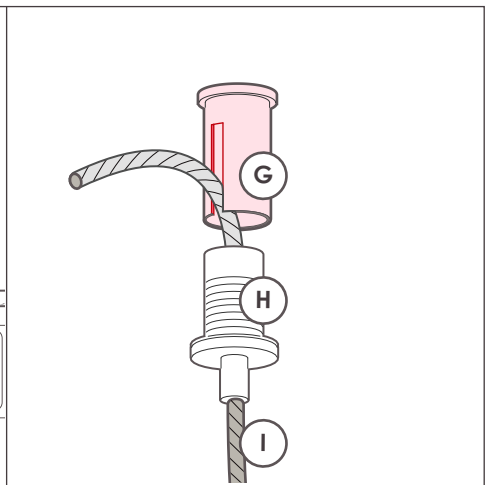
4.
Fix Posilock (G) onto the ceiling with appropriate fasteners (not supplied).



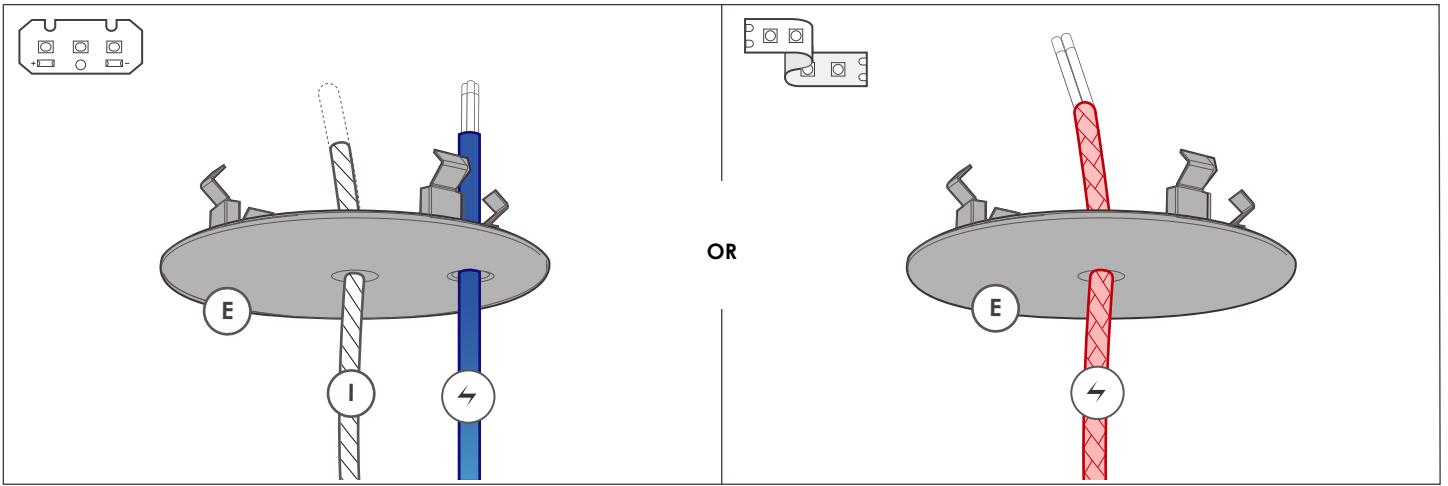
4B. IF MULTIPLE BODIES
Fix Posilocks (G) of multibodies onto ceiling with appropriate fasteners.



5.
Measure desired length of the Suspension wire (I). Lightly bend and crimp to mark desired length.



6.
Thread the Suspension wire (I) through Wire Gripper (H). Insert excess through slot & connect Gripper (H) & Posilock (G).



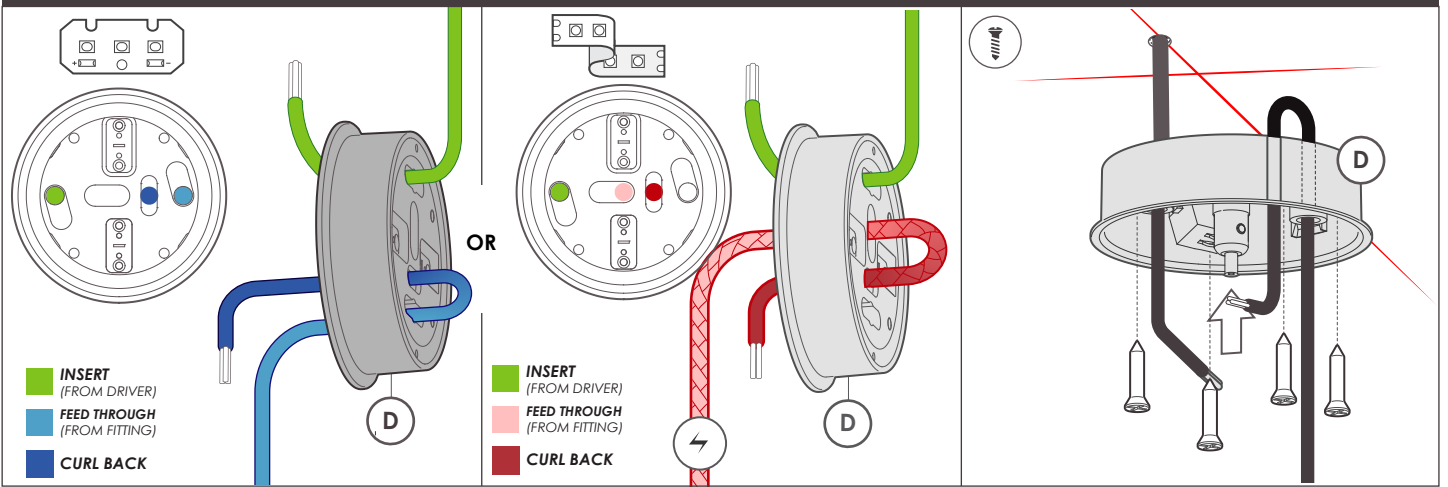
7. IF LED BOARD

Pull supplied powercable & Suspension Wire(I) through Ceiling Plate Cover(E).

7. IF LED TAPE

Pull Coaxial cable through centre hole in Ceiling Plate Cover(E).

IF SURFACE MOUNTED CEILING PLATE



8A. IF LED BOARD

Thread power cable (from fitting) through cable anchor of Ceiling Plate(D). Curl back into cutout. Thread secondary cable(from driver) through opposite cutout (see inset).

8A. IF LED TAPE

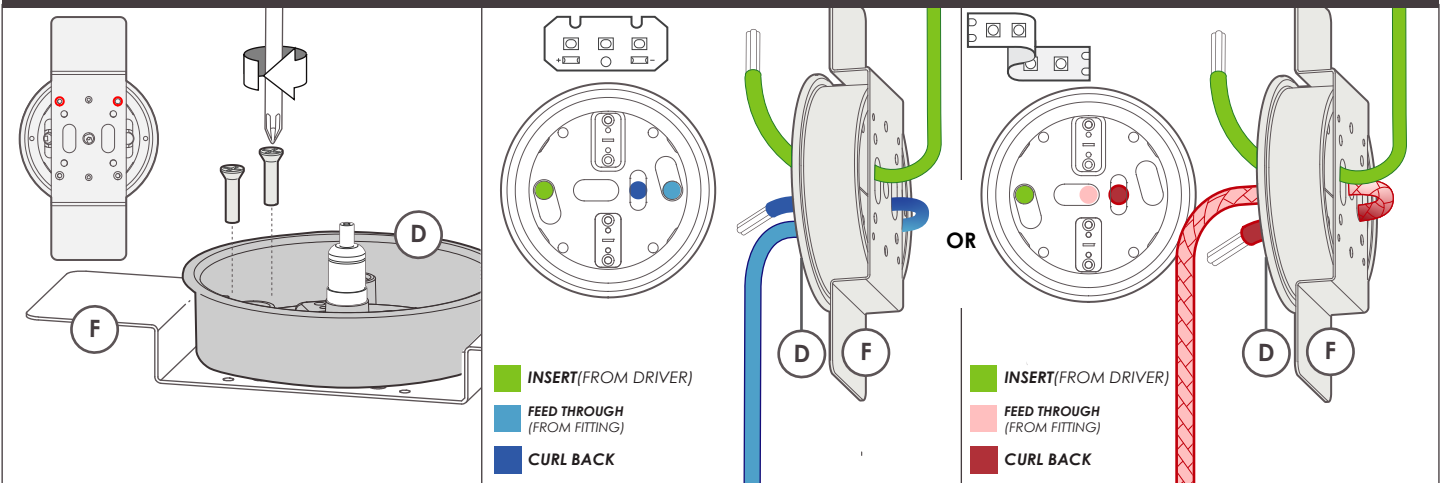
Thread coaxial cable (from fitting) through cable anchor of Ceiling Plate(D). Curl back into cutout. Thread secondary cable(from driver) through opposite cutout (see inset).

8B.

Fix Ceiling Plate(D) with appropriate fasteners (not supplied).

Proceed to step 9.

IF RECESSED CEILING PLATE



8A.

Align Ceiling Plate(D) holes and install 2 of 4 bolts into one side of Bracket(F).

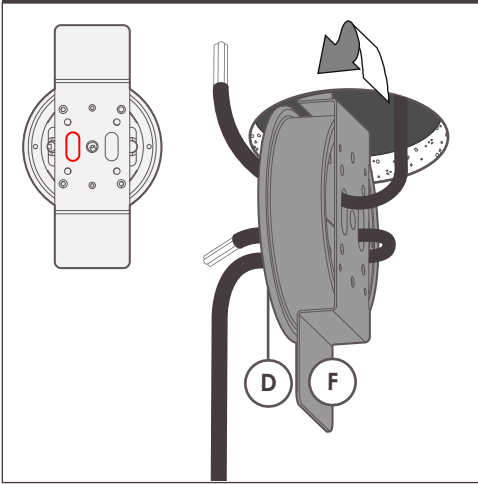
8B. IF LED BOARD

Thread power cable (from fitting) through cable anchor & Bracket(F). Curl back into cutout. Insert secondary cable (from driver) through opposite cutout.

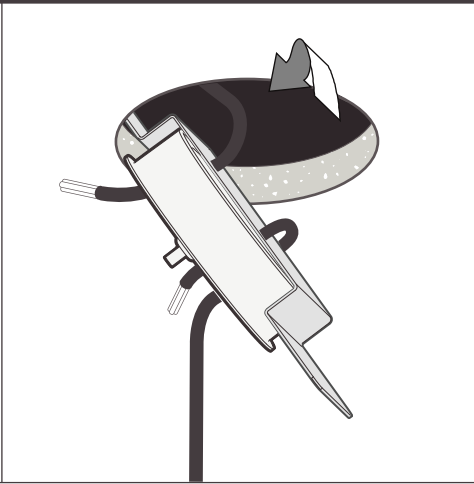
8B. IF LED TAPE

Thread coaxial cable (from fitting) through centre cable anchor & Bracket(F). Curl back into cutout. Insert secondary cable (from driver) through opposite cutout.

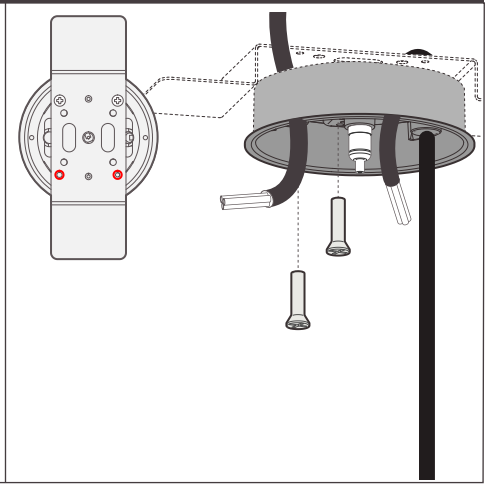
IF RECESSED CEILING PLATE



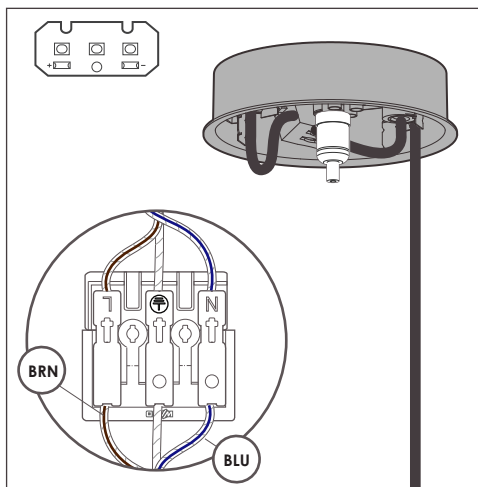
8C. Insert the fixed Ceiling Plate(D) & Bracket(F) into the cutout. Ensure lip of ceiling plate sits proud of surface.



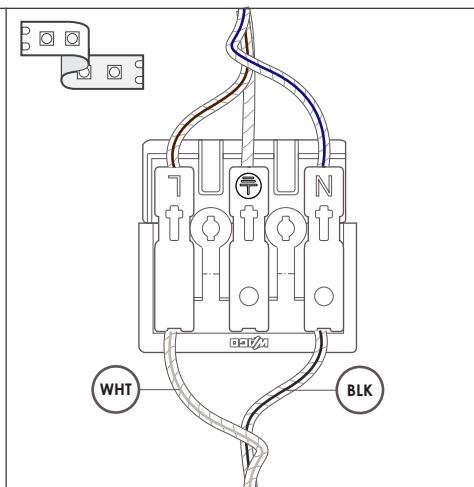
8D. Step the fixed Ceiling Plate(D) & Bracket(F) into the cutout.



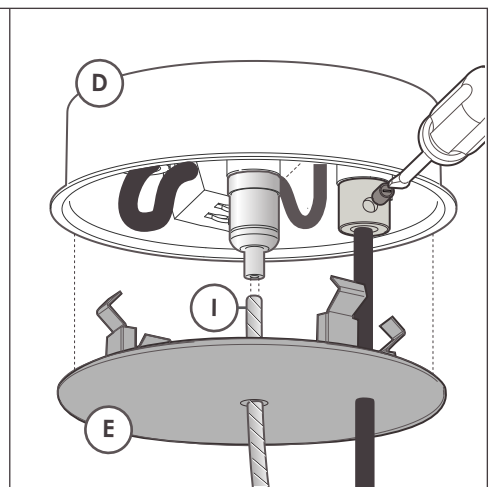
8E. Fix the remaining side of the Ceiling plate(D) into Bracket(F) with the remaining 2 bolts.



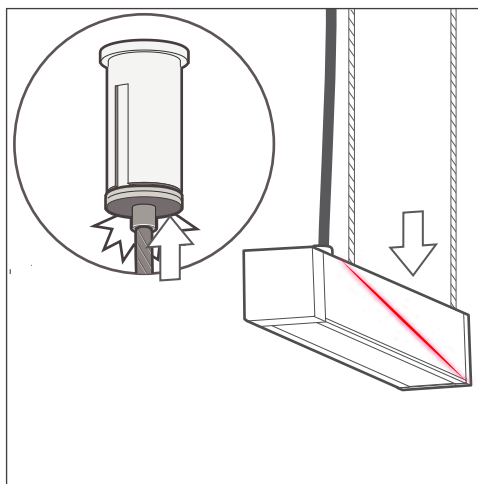
9. IF LED BOARD
Insert three wires of power cable into terminal.



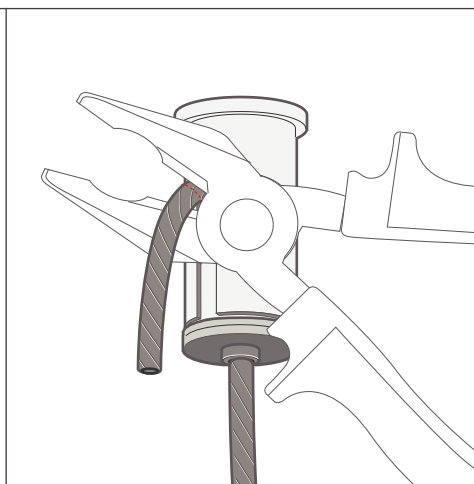
9. IF LED TAPE (24V)
Insert two wires of coaxial cable into terminal.



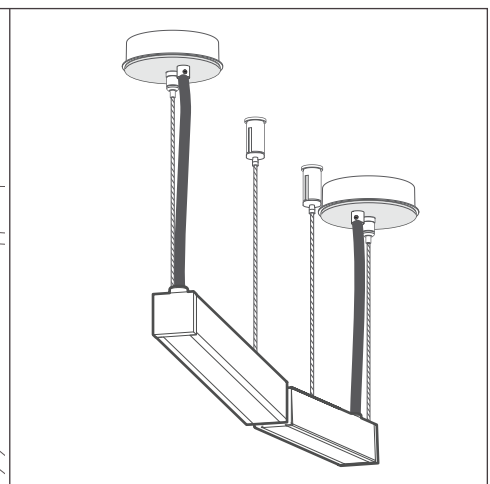
10. Insert Suspension Wire(I) into Posilock. Fix 3mm grub screw into cable anchor with flathead driver. Attach Cover(E) onto the Ceiling Plate(D).



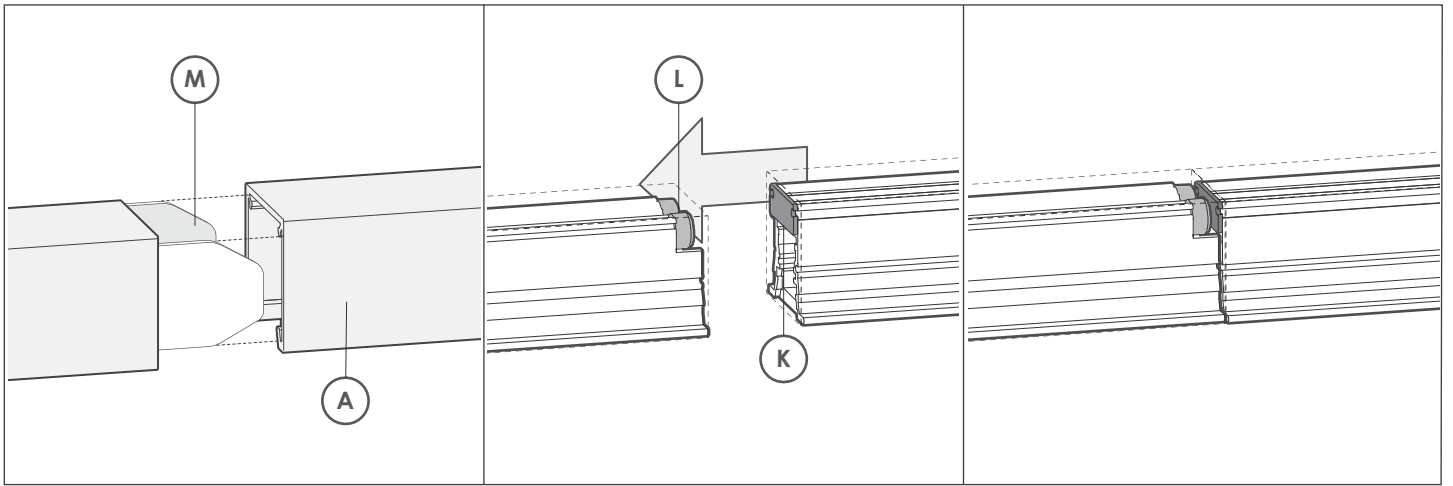
11. IF ADJUSTMENT IS REQ.
Use Laser Plum to ensure fitting is straight. Press sprung tip of Wire Gripper(H). Adjust length of wire until all suspension points are level.



12. Using pliers, trim off excess Suspension Wire(I).



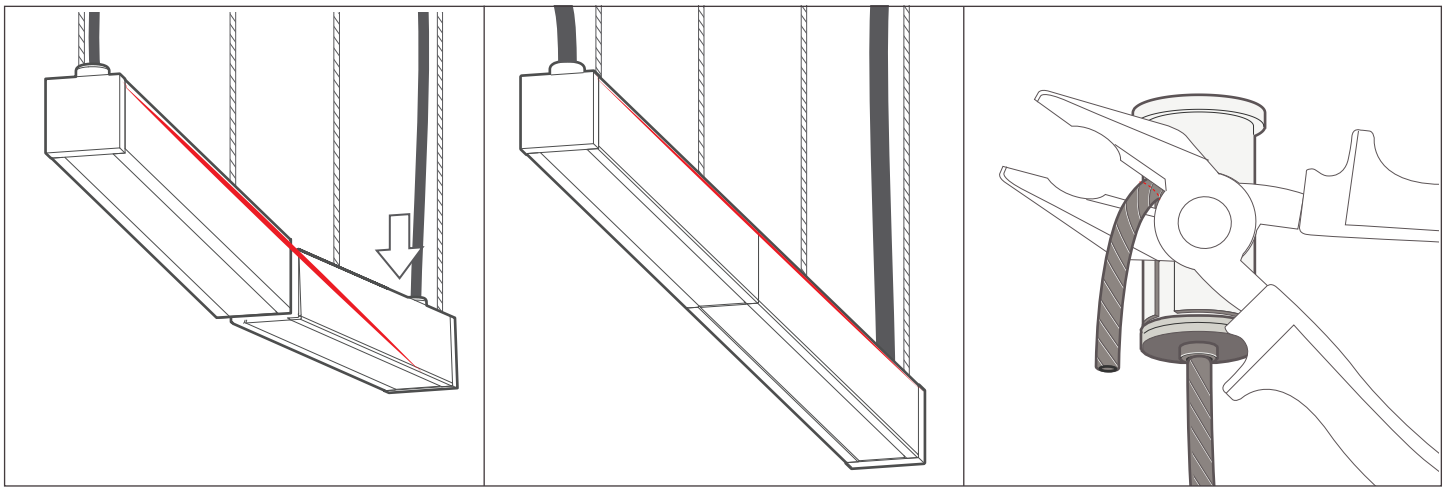
13. IF MULTIPLE BODIES.
Repeat stages 1-12 to install secondary fitting.



14. Align Linear Connector(M) of first Surfacebody(A) to sliding detail of second body.

15. Butt up Plate(K) to Magnets(L) of first body.

16. Ensure Magnet(L) is touching Plate(K) for correct linear connection.



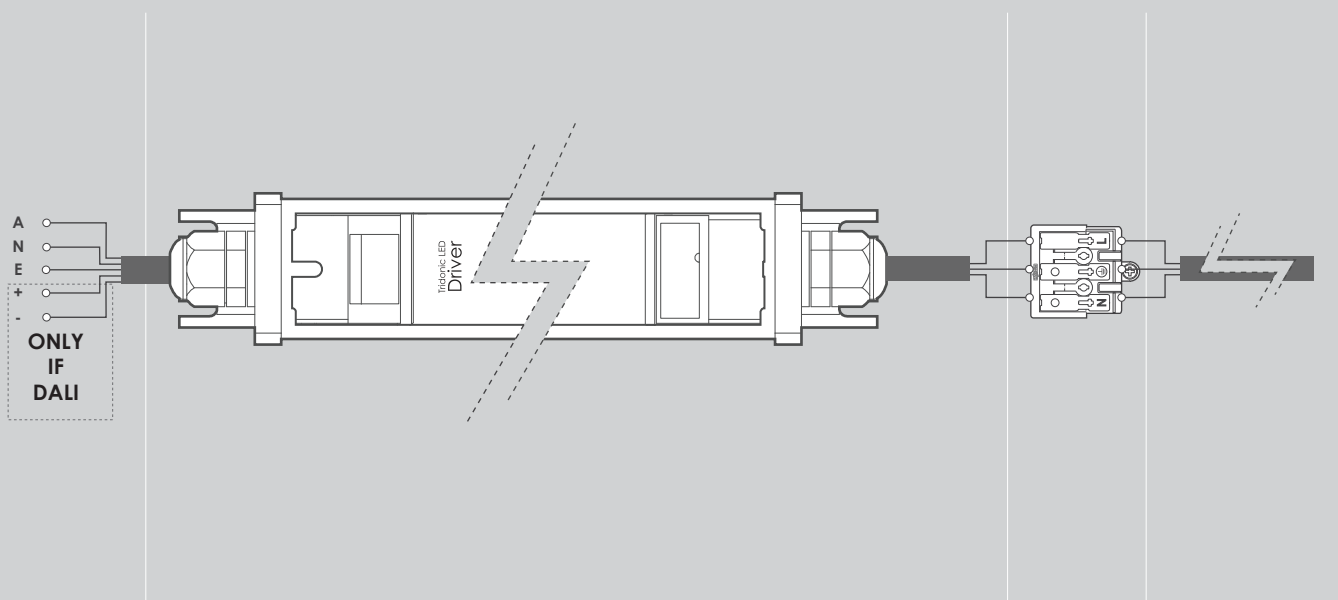
17. Use Laser Plum to ensure fitting is straight and no light bleeds through join.

18. Press sprung tip and adjust suspension wire if required. Use laser to confirm bodies are square and levelled correctly.

19. Using pliers, trim off excess Suspension Wire(I).

WIRING DIAGRAM - LED BOARD

FIGURE 2.



PRIMARY

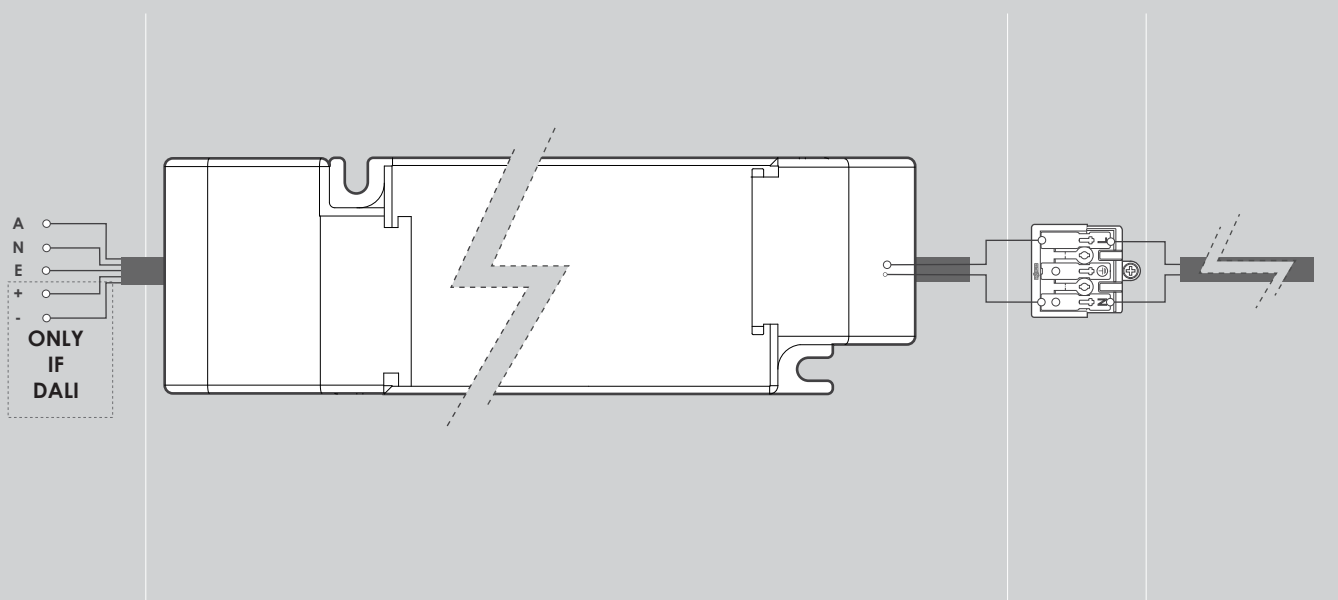
REMOTE DRIVER

CEILING
PLATE

POWERFEED

WIRING DIAGRAM - LED TAPE(24V)

FIGURE 2.



PRIMARY

REMOTE DRIVER

CEILING
PLATE

POWERFEED