

GRAZER/ GRAZER TUBE

SURFACE MOUNTED PROFILE

DARKON™
THE EDGE OF LIGHT

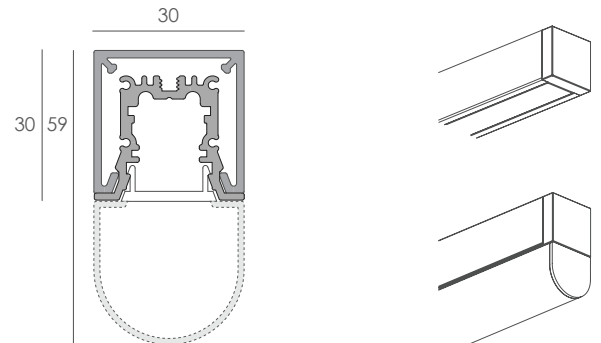
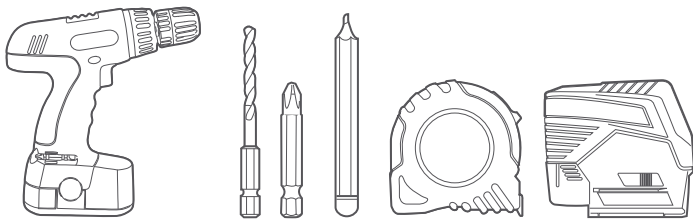
Ensure that products are mounted with supplied, recommended or appropriate screws and fixings to suit the mounting surface.

WARNING

INSTALLATION IS ONLY TO BE CARRIED OUT BY SUITABLY QUALIFIED PERSONS IN ACCORDANCE WITH INSTALLATION INSTRUCTIONS AND ALL APPLICABLE REGULATIONS OR STANDARDS. (IMPROPER INSTALLATION CAN CREATE AN ELECTRICAL HAZARD WITH RISK OF ELECTRIC SHOCK, FIRE OR INJURY). DARKON WILL NOT BE HELD RESPONSIBLE FOR ANY CONSEQUENCES ARISING FROM IMPROPER PRODUCT HANDLING, STORAGE OR INSTALLATION.

TOOLS REQUIRED

POWER DRILL / DRILL BIT / PHILLIPS DRIVER / PENCIL / TAPE MEASURE / PLUM LASER.



NOTE

Only multi body fittings are supplied with D.

MAINTENANCE

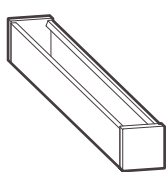
Wipe product with a clean dry microfiber cloth. Do not use any cleaning products / chemicals to clean product.



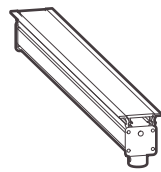
SERVICING

'Remote Driver' can be replaced if deemed faulty.

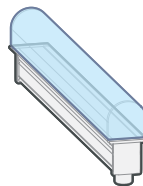
COMPONENTS



A



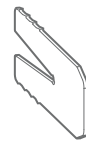
B
FLAT LENS



B
TUBE LENS



C



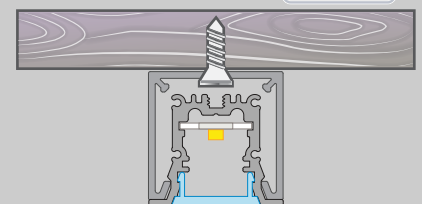
D

	DISTANCE	DESCRIPTION
A)	148MM	MOUNTING LOCATION
B)	PROFILE LENGTH 2	⚠ IF GREATER THAN 2.2M THIRD SUSPENSION POINT IS REQUIRED
C)	15MM	PF LOCATION

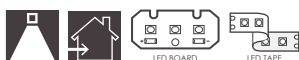
CRITICAL DIMENSIONS

FIGURE 1.

FOR OPTIMAL LONGEVITY, ENSURE UNRESTRICTED AIRFLOW OVER LUMINAIRE & REMOTE DRIVER. **DO NOT COVER LUMINAIRE OR DRIVER WITH INSULATION. DO NOT STACK DRIVERS.**



IP22

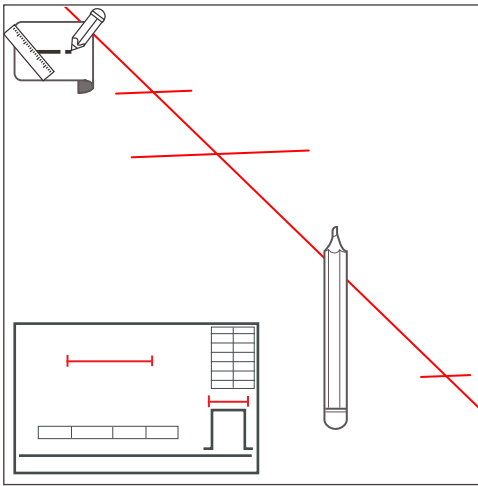


21.06.22

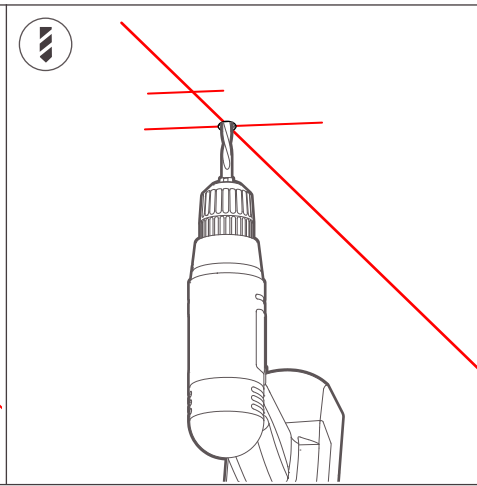
www.darkon.com.au

1/3

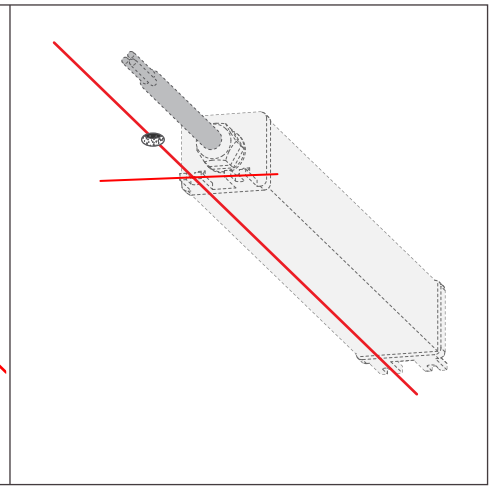
REVISION 02



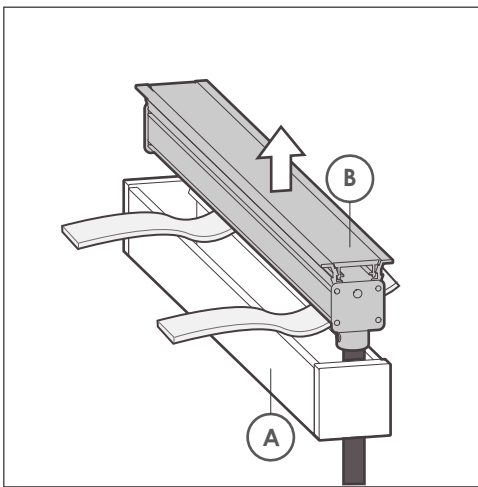
1. Project line using laser plumb and mark necessary mounting points using supplied Darkon drawing as reference.



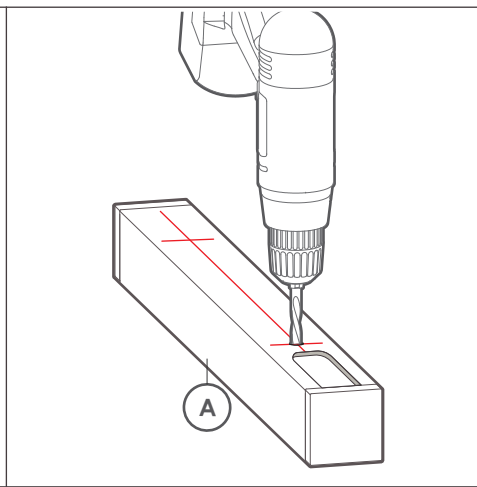
2. Drill hole for power feed, drill pilot holes if necessary.



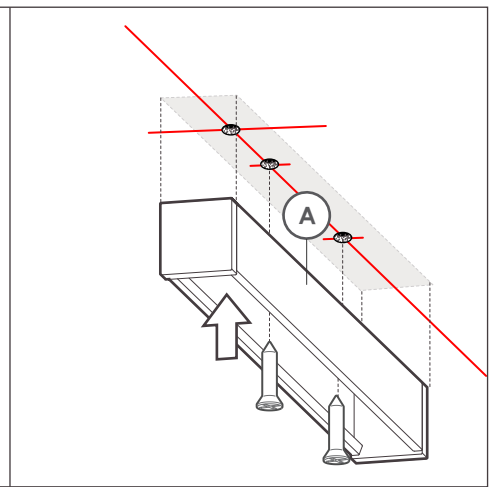
3. Pull secondary cable through ceiling.



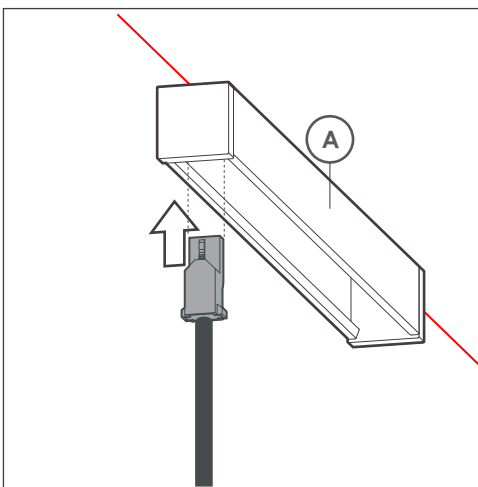
4. Remove Mainbody(B) from the Surfacebody(A). Remove supplied straps.



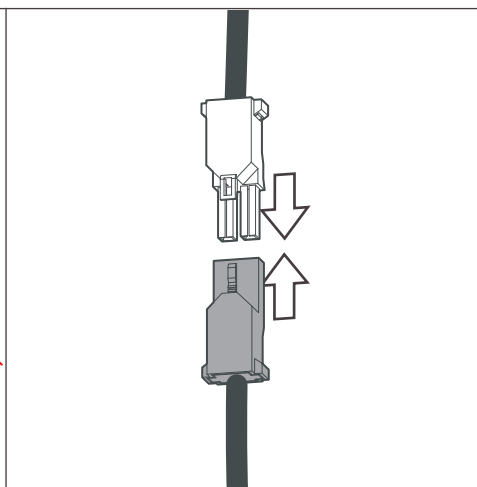
5. Drill appropriate sized holes for fasteners onto Surfacebody(A).



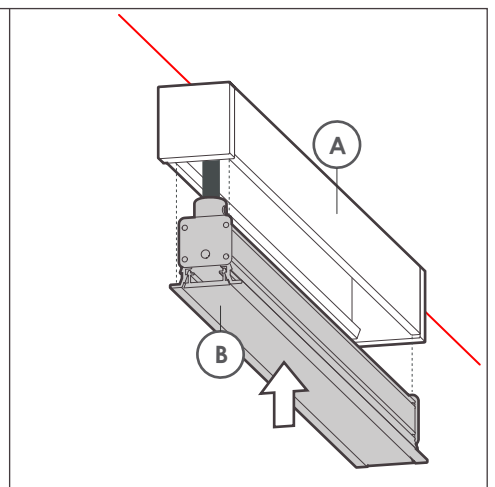
6. Fix Surfacebody(A) onto ceiling with appropriate fasteners(not supplied).



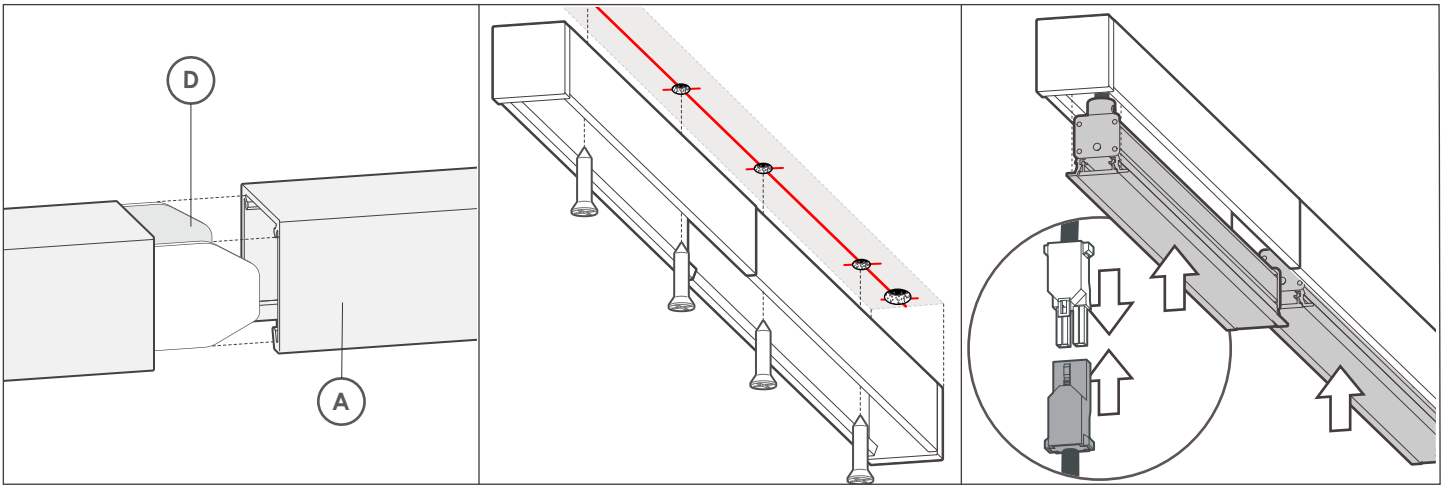
7. Insert plug through cutout of Surfacebody(A) and into previously drilled powerfeed hole in ceiling.



8. Connect necessary plugs.



9. Install Mainbody(B) into Surfacebody(A) by snap fitting into clipping detail.

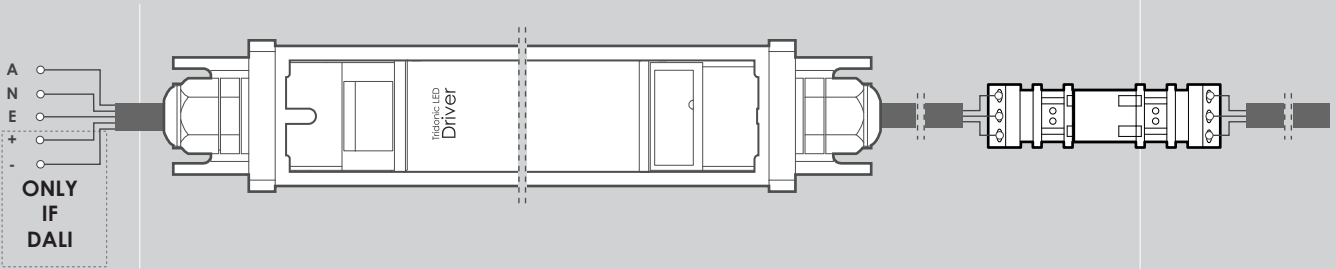


10. Align Linear Connector(D) of first Surfacebody(A) to sliding detail of second body.

11. Fix Surfacebody(A) onto ceiling with appropriate fasteners(not supplied).

12. Connect necessary plugs. Install Mainbody(B) into Surfacebody(A) by snap fitting into clipping detail.

WIRING DIAGRAM - LED BOARD
FIGURE 2.



PRIMARY

REMOTE DRIVER

SECONDARY

WIRING DIAGRAM - LED TAPE(24V)
FIGURE 2.

