

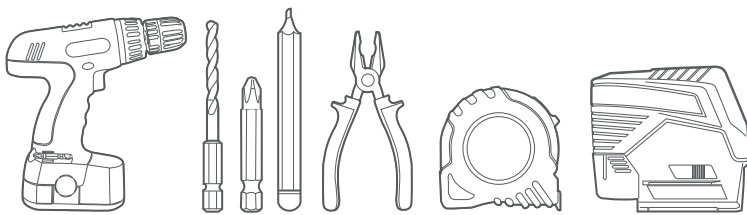
Ensure that products are mounted with supplied, recommended or appropriate screws and fixings to suit the mounting surface.

## WARNING

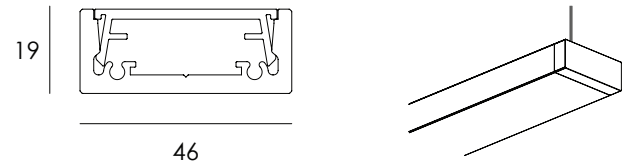
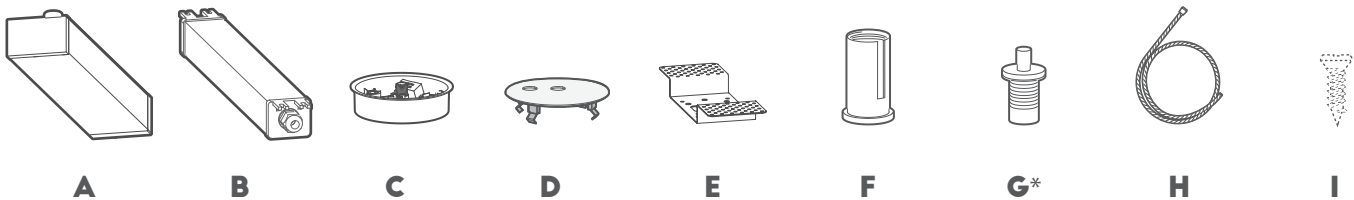
INSTALLATION IS ONLY TO BE CARRIED OUT BY SUITABLY QUALIFIED PERSONS IN ACCORDANCE WITH INSTALLATION INSTRUCTIONS AND ALL APPLICABLE REGULATIONS OR STANDARDS. (IMPROPER INSTALLATION CAN CREATE AN ELECTRICAL HAZARD WITH RISK OF ELECTRIC SHOCK, FIRE OR INJURY). DARKON WILL NOT BE HELD RESPONSIBLE FOR ANY CONSEQUENCES ARISING FROM IMPROPER PRODUCT HANDLING, STORAGE OR INSTALLATION.

## TOOLS REQUIRED

POWER DRILL / DRILL BIT / PHILLIPS DRIVER / PENCIL / PLIERS / TAPE MEASURE / PLUM LASER



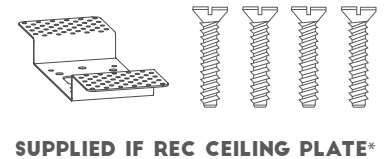
## COMPONENTS



## NOTE

-Lengths that exceed 2200mm are fitted with 3 suspensions adding to components G, H, & I.  
- 'Flatline' only available in fixed lengths.

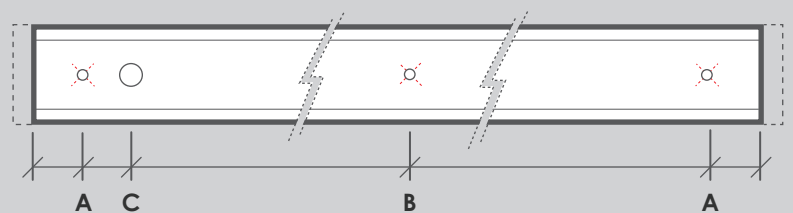
**REC**  
CUT OUT  
  
Ø100

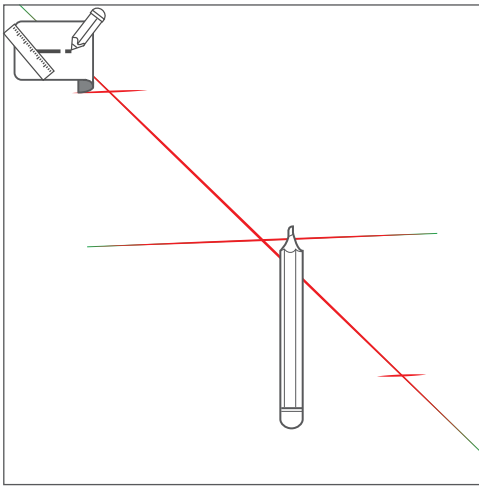


DISTANCE	DESCRIPTION
A) 15MM	SUSPENSION LOCATION
B) PROFILE LENGTH 2	IF GREATER THAN 2.2M THIRD SUSPENSION POINT IS REQUIRED
C) 7	POWERFEED LOCATION

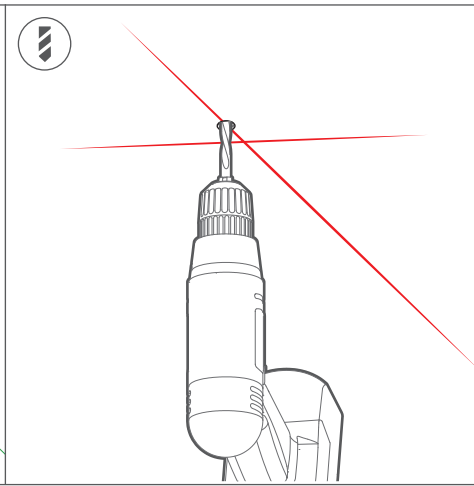
## SUSPENSION DIMENSIONS

FIGURE 1.

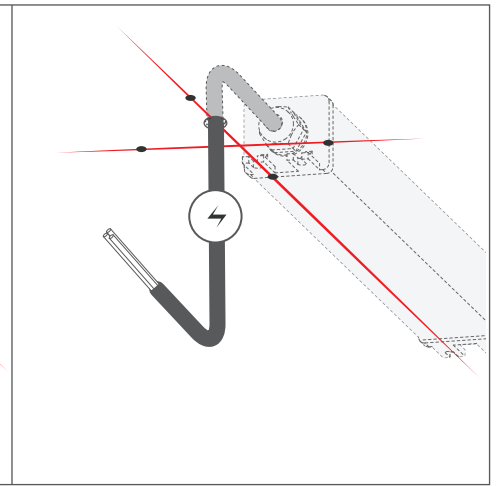




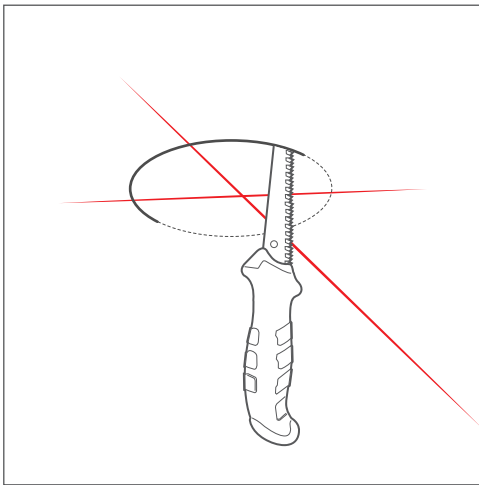
**1.**  
Project line using laser plumb and mark necessary mounting points using supplied Darkon drawing as reference.



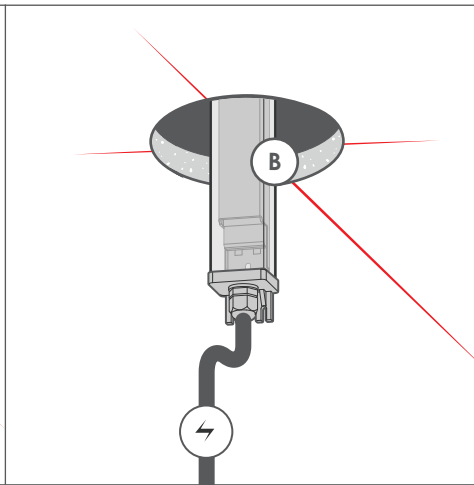
**2A IF SM CEILING PLATE**  
Drill hole for powerfeed, drill pilot holes if necessary.



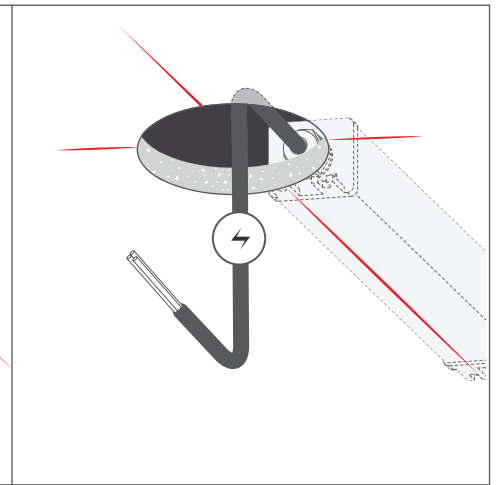
**3A IF SM CEILING PLATE**  
Pull secondary cable(DC Voltage) through ceiling



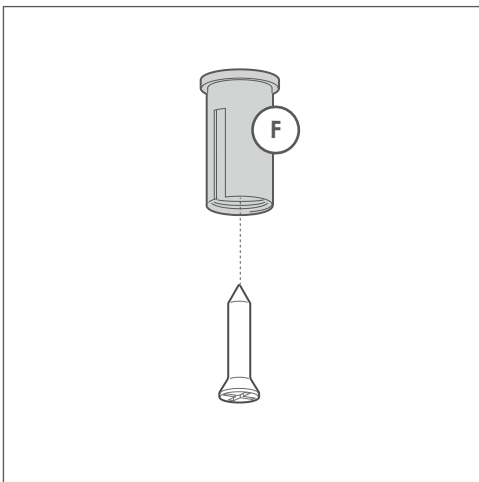
**3B.1 IF REC CEILING PLATE**  
Make cutout using appropriate wallboard saw.



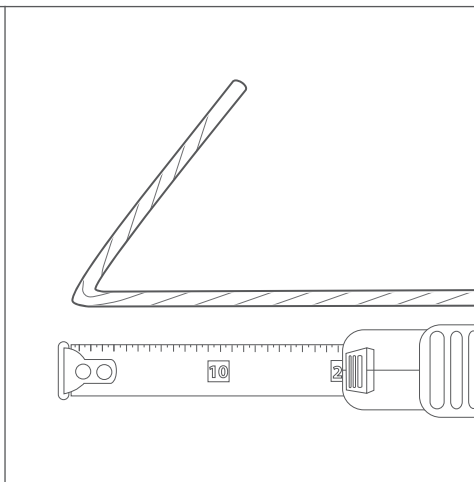
**3B.2 IF REC CEILING PLATE**  
Insert remote driver(B) into cutout.



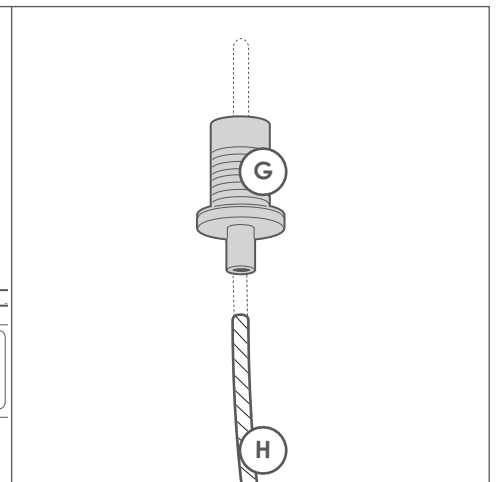
**3B.3 IF REC CEILING PLATE**  
Pull secondary cable(DC Voltage) through cutout.



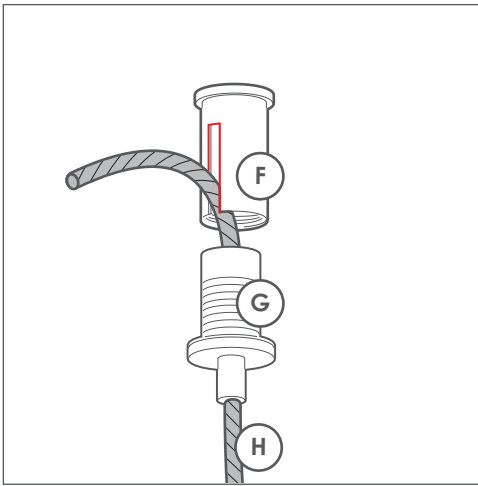
**4.**  
Fix remaining posilock(F) onto the ceiling with appropriate fasteners (not supplied).



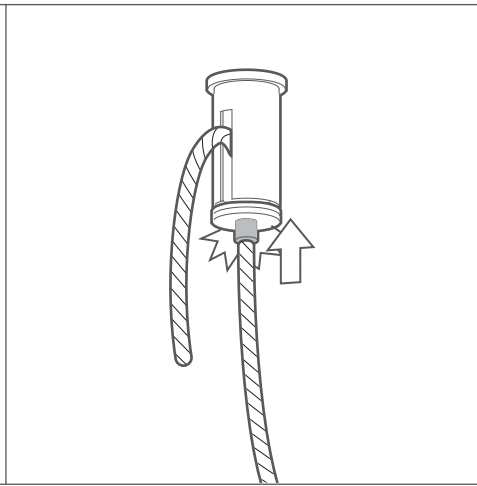
**6.**  
Measure desired length of the Suspension wire(H). Lightly bend and crimp to mark desired length.



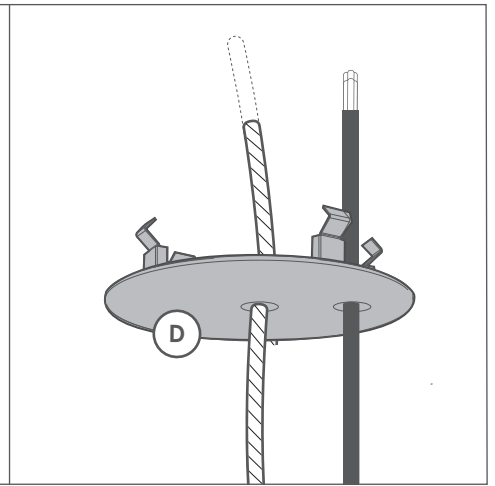
**7.**  
Thread the Suspension wire(H) through wire gripper(G).



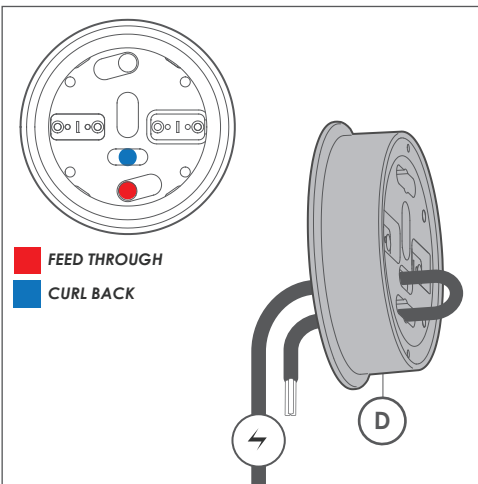
**8.** Insert excess wire(H) through slot & connect gripper(G) & posilock(F).



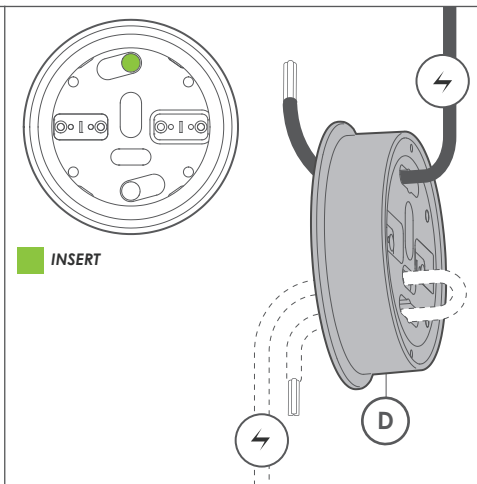
**9.** Press sprung tip and adjust suspension wire if required.



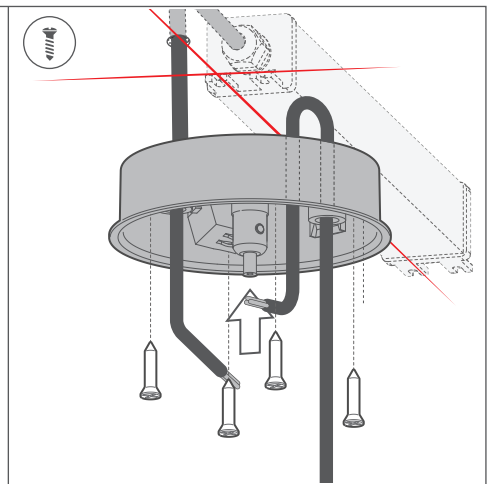
**10.** Pull supplied power cable through ceiling plate cover(D)



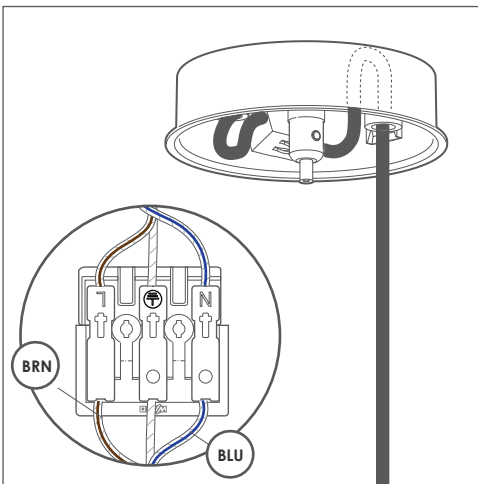
**11. IF SM CEILING PLATE A**  
Thread secondary cable(from fitting) through cable anchor. Curl back into cutout.



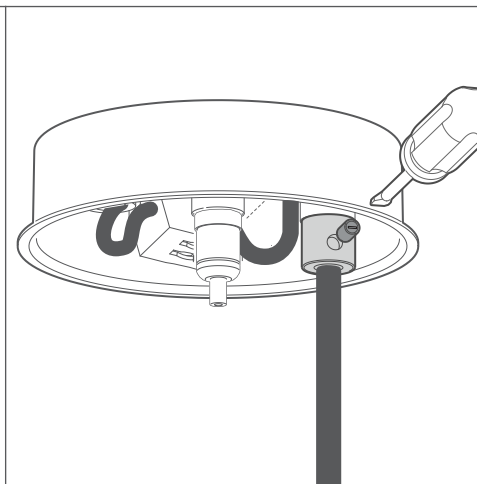
**IF SM CEILING PLATE B**  
Insert secondary cable(from driver) through opposite cutout (see inset)



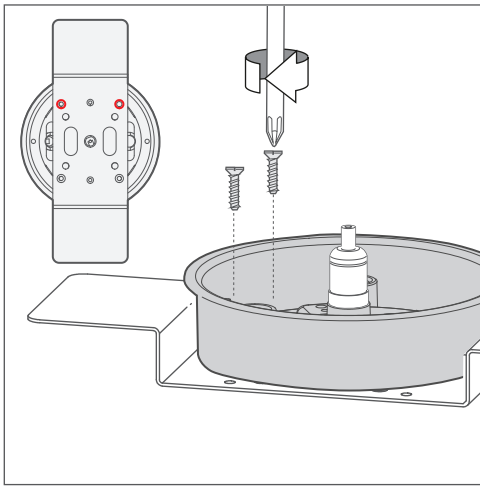
**IF SM CEILING PLATE C**  
Fix ceiling plate(C) with appropriate fasteners (not supplied)



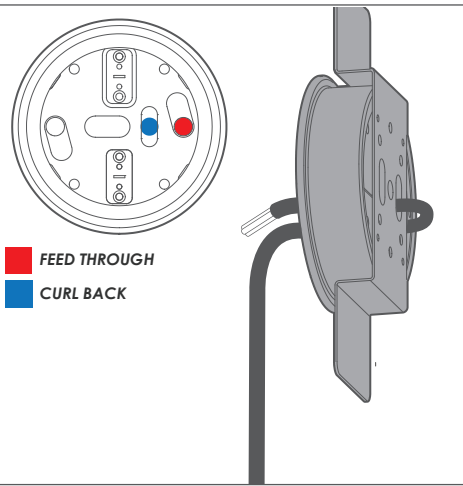
**IF SM CEILING PLATE D**  
Insert wires into terminal.



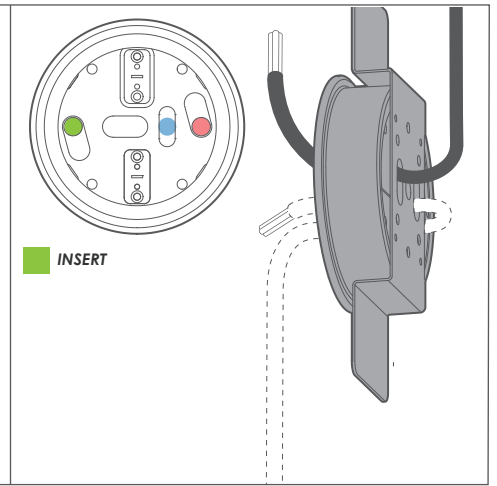
**IF SM CEILING PLATE F**  
Fix 3mm grub screw into cable anchor with flathead driver.



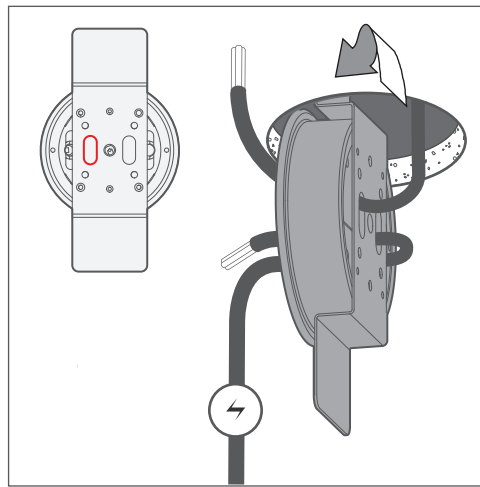
**IF REC CEILING PLATE A**  
Align holes and install 2 of 4 bolts into one side of bracket(E).



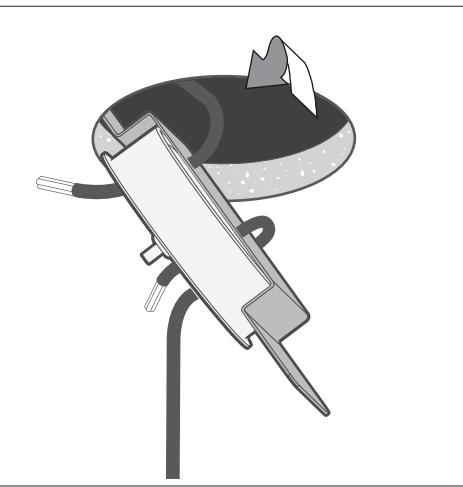
**IF REC CEILING PLATE B**  
Thread secondary cable (from fitting) through cable anchor & Bracket(E). Curl back into cutout.



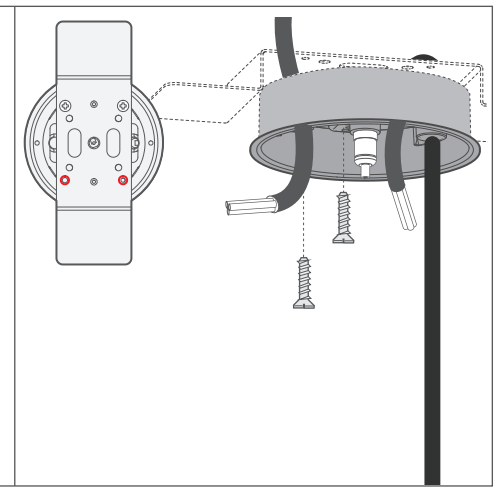
**IF REC CEILING PLATE C**  
Insert secondary cable (from driver) through opposite cutout (see inset)



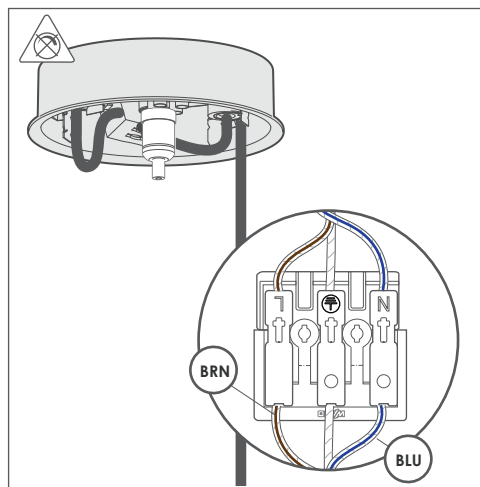
**IF REC CEILING PLATE D**  
Insert the fixed ceiling plate(C) & bracket(E) into the cutout. Ensure lip of ceiling plate sits proud of surface.



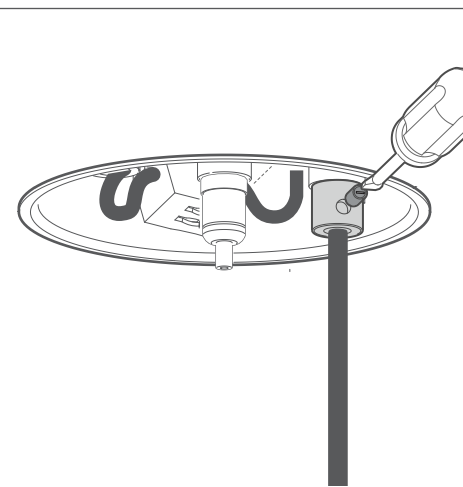
**IF REC CEILING PLATE E**  
Step the fixed ceiling plate(C) & bracket(E) into the cutout.



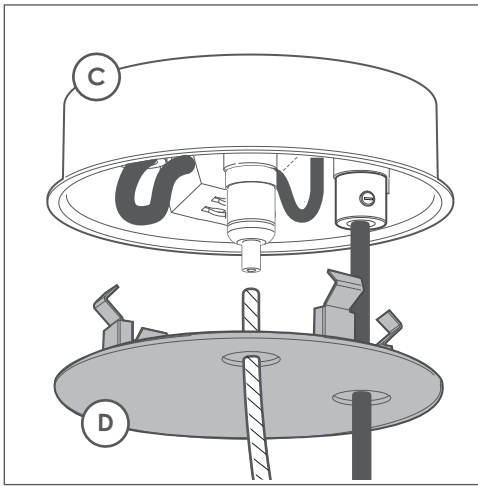
**IF REC CEILING PLATE F**  
Fix the remaining side of the Ceiling plate(C) into bracket(E) with the remaining 2 bolts



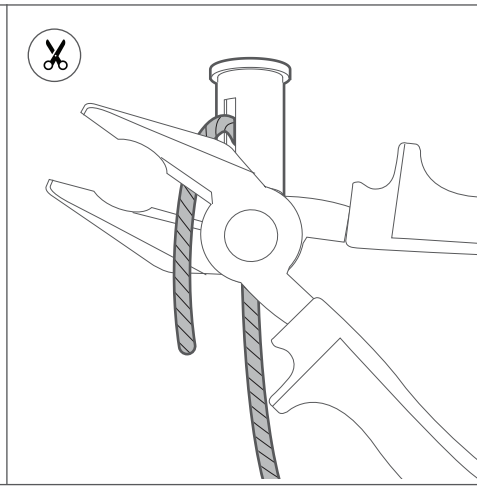
**IF REC CEILING PLATE G**  
Insert wires into terminal.



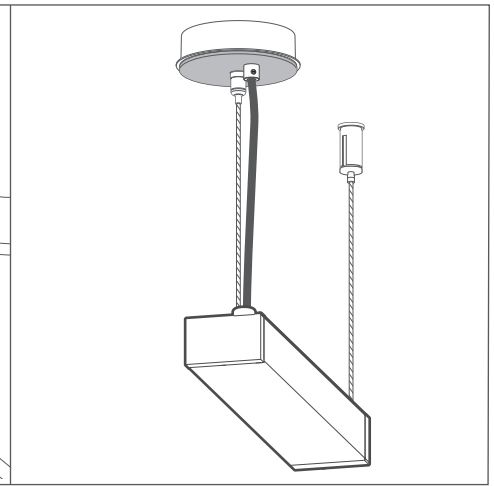
**IF REC CEILING PLATE I**  
Fix 3mm grub screw into cable anchor with flathead driver.



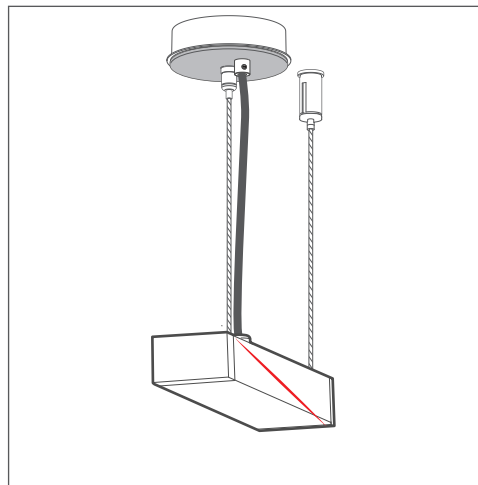
**12.** Attach cover (D) onto the Ceiling plate (C). Insert suspension wire into posilock.



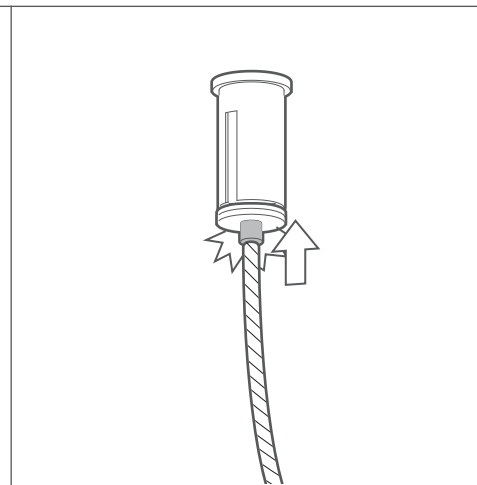
**13.** Using pliers, trim off excess suspension wire (I).



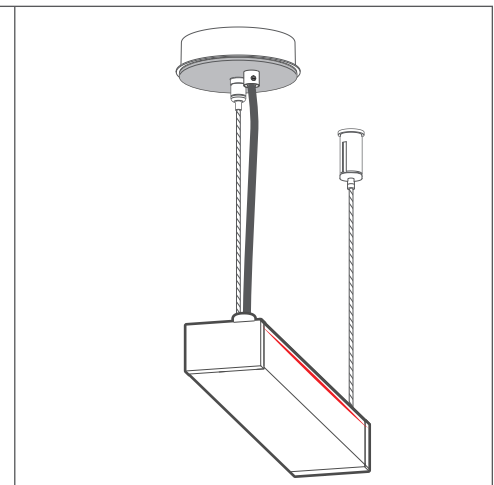
**14.** Gently tug on suspension wires to ensure fitting is appropriately installed.



**15.** Use a Laser Plum to ensure fitting is straight.

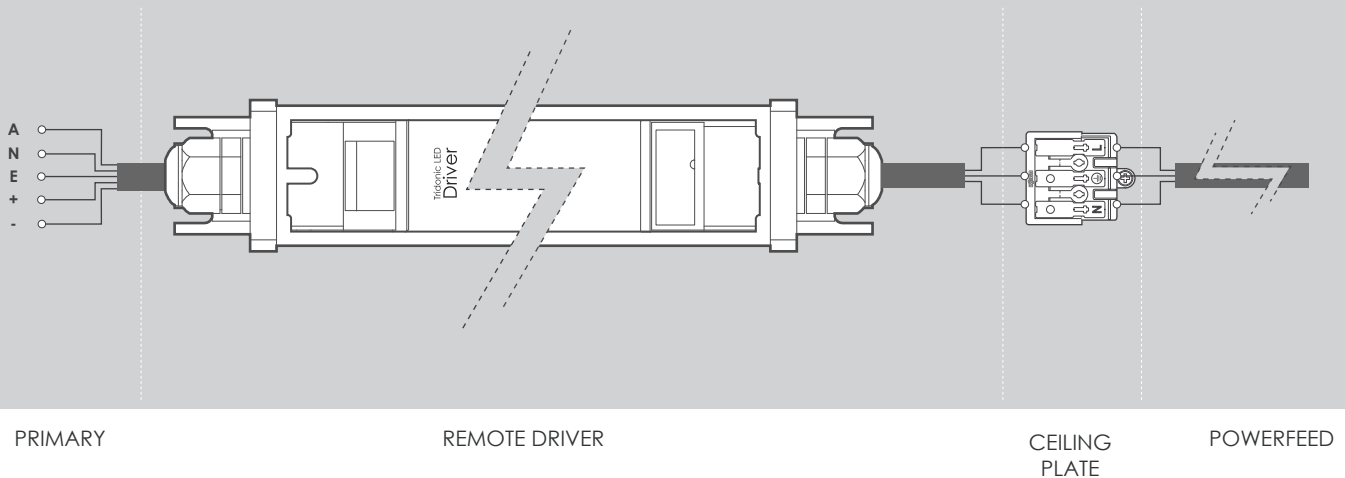


**16.** Press sprung tip and adjust suspension wire if required.



**17.** Use a Laser Plum to ensure fitting is levelled correctly.

**WIRING DIAGRAM**  
FIGURE 2.



FOR OPTIMAL LONGEVITY, ENSURE UNRESTRICTED AIRFLOW OVER LUMINAIRE & REMOTE DRIVER. **DO NOT COVER LUMINAIRE OR DRIVER WITH INSULATION. DO NOT STACK DRIVERS.**

