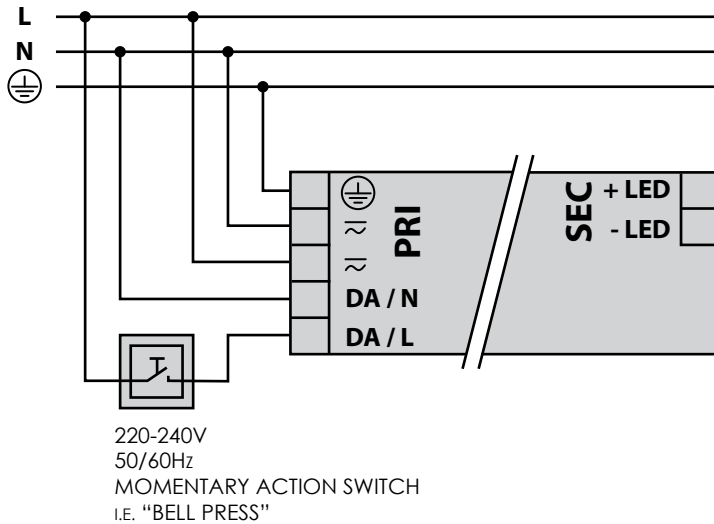


SWITCH DIM



5 CORE WIRE REQUIRED TO FITTING

FOR USE WITH MOMENTARY ACTION SWITCH AT WALL

MOMENTARY ACTION SWITCH USE:

Brief push (< 0.6 s) switches LED Driver ON and OFF.

The LED Drivers switch-ON at light level set at switch-OFF.

When the momentary action switch is held, LED modules are dimmed.

After re-push the LED modules are dimmed in the opposite direction.